

Instruction manual

Page 6

IMPORTANT: Read all instructions before using.

Guide d'utilisation

Page 20

IMPORTANT: Lire toutes les instructions avant de démarrer les travaux.

Manual de instrucciones

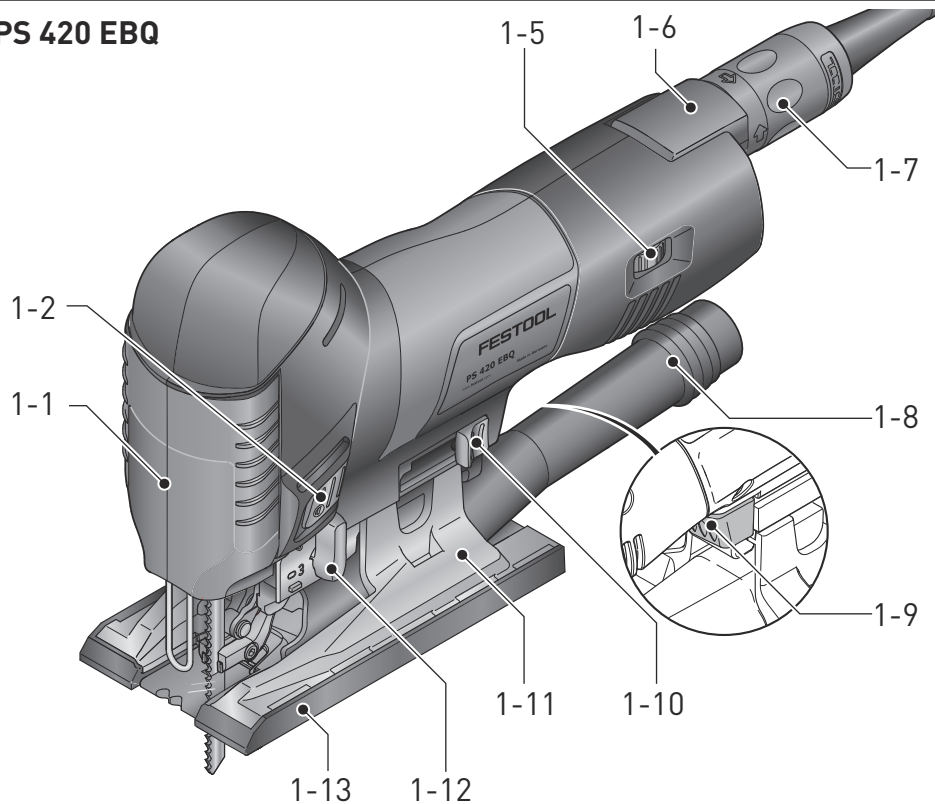
Página 35

IMPORTANTE: Lea todas las instrucciones antes de usar.

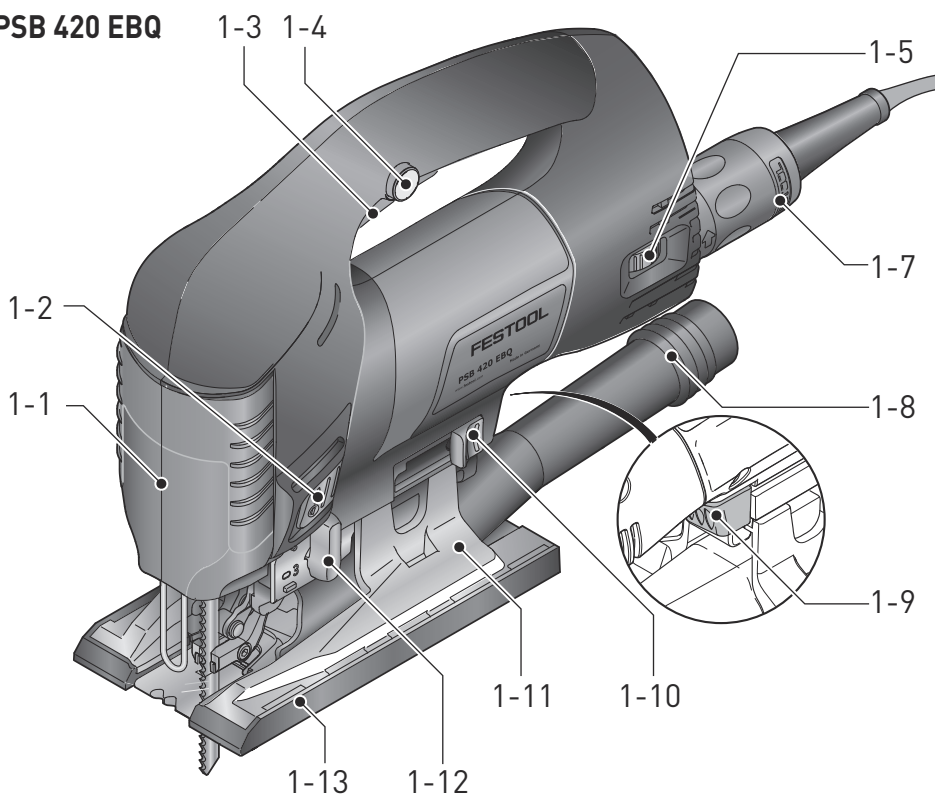
Instruction manual
Guide d'utilisation
Manual de instrucciones
CARVEX
PS 420 EBQ
PSB 420 EBQ



PS 420 EBQ



PSB 420 EBQ



Contents


Symbols	6
Safety instructions.....	6
Technical data.....	8
Functional description.....	9
Intended use	9
Operation	9
Settings.....	10
Working with the machine.....	13
Accessories.....	14
Service and maintenance	18
Environment	19


rpm revolutions per minute


min⁻¹


" inch


lbs. pound


 diameter


 hint, tipp


 Warning of general danger


 Risk of electric shock


 Read the Operating Instructions/Notes!


 Wear a dust mask.

 Wear ear protection.


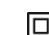
 Wear protective goggles.

 Wear protective gloves.

 Disconnect from the power supply!

 Do not throw in the household waste.

Symbols

V	volts
A	amperes
Hz	hertz
~	alternating current
a.c.	
	direct current
d.c.	
n ₀	no load speed
	Class II construction

Safety instructions

General safety instructions



WARNING! Read all safety warnings, instructions, illustrations and specifications provided with this power tool. Failure to follow all

instructions listed below may result in electric shock, fire and/or serious injury.

Save all warnings and instructions for future reference.

The term "power tool" in the warnings refers to your mains-operated (corded) power tool or battery-operated (cordless) power tool.

1 WORK AREA SAFETY

- Keep work area clean and well lit.** Cluttered and dark areas invite accidents.
- Do not operate power tools in explosive atmospheres, such as in the presence of flammable**

liquids, gases or dust. Power tools create sparks which may ignite the dust or fumes.

- c. **Keep children and bystanders away while operating a power tool.** Distractions can cause you to lose control.

2 ELECTRICAL SAFETY

- a. **Power tool plugs must match the outlet. Never modify the plug in any way. Do not use any adapter plugs with earthed (grounded) power tools.** Unmodified plugs and matching outlets will reduce risk of electric shock.
- b. **Avoid body contact with earthed or grounded surfaces, such as pipes, radiators, ranges and refrigerators.** There is an increased risk of electric shock if your body is earthed or grounded.
- c. **Do not expose power tools to rain or wet conditions.** Water entering a power tool will increase the risk of electric shock.
- d. **Do not abuse the cord. Never use the cord for carrying, pulling or unplugging the power tool. Keep cord away from heat, oil, sharp edges or moving parts.** Damaged or entangled cords increase the risk of electric shock.
- e. **When operating a power tool outdoors, use an extension cord suitable for outdoor use.** Use of a cord suitable for outdoor use reduces the risk of electric shock.
- f. **If operating a power tool in a damp location is unavoidable, use a residual current device (RCD) protected supply.** Use of an RCD reduces the risk of electric shock.

3 PERSONAL SAFETY

- a. **Stay alert, watch what you are doing and use common sense when operating a power tool. Do not use a power tool while you are tired or under the influence of drugs, alcohol or medication.** A moment of inattention while operating power tools may result in serious personal injury.
- b. **Use personal protective equipment. Always wear eye protection.** Protective equipment such as dust mask, non skid safety shoes, hard hat, or hearing protection used for appropriate conditions will reduce personal injuries.
- c. **Prevent unintentional starting. Ensure the switch is in the off-position before connecting to power source and/or battery pack, picking up or carrying the tool.** Carrying power tools with your finger on the switch or energising power tools that have the switch on invites accidents.
- d. **Remove any adjusting key or wrench before turning the power tool on.** A wrench or a key left

attached to a rotating part of the power tool may result in personal injury.

- e. **Do not overreach. Keep proper footing and balance at all times.** This enables better control of the power tool in unexpected situations.
- f. **Dress properly. Do not wear loose clothing or jewellery. Keep your hair, clothing and gloves away from moving parts.** Loose clothes, jewellery or long hair can be caught in moving parts.
- g. **If devices are provided for the connection of dust extraction and collection facilities, ensure these are connected and properly used.** Use of dust collection can reduce dust-related hazards.
- h. **Do not let familiarity gained from frequent use of tools allow you to become complacent and ignore, tool safety principles.** A careless action can cause severe injury within a fraction of a second.

4 POWER TOOL USE AND CARE

- a. **Do not force the power tool. Use the correct power tool for your application.** The correct power tool will do the job better and safer at the rate for which it was designed.
- b. **Do not use the power tool if the switch does not turn it on and off.** Any power tool that cannot be controlled with the switch is dangerous and must be repaired.
- c. **Disconnect the plug from the power source and/or battery pack from the power tool before making any adjustments, changing accessories, or storing power tools.** Such preventive safety measures reduce the risk of starting the power tool accidentally.
- d. **Store idle power tools out of the reach of children and do not allow persons unfamiliar with the power tool or these instructions to operate the power tool.** Power tools are dangerous in the hands of untrained users.
- e. **Maintain power tools. Check for misalignment or binding of moving parts, breakage of parts and any other condition that may affect the power tool's operation. If damaged, have the power tool repaired before use.** Many accidents are caused by poorly maintained power tools.
- f. **Keep cutting tools sharp and clean.** Properly maintained cutting tools with sharp cutting edges are less likely to bind and are easier to control.
- g. **Use the power tool, accessories and tool bits etc. in accordance with these instructions taking into account the working conditions and the work to be performed.** Use of the power tool for

operations different from those intended could result in a hazardous situation.

- h. **Keep handles dry, clean and free from oil and grease.** Slippery handles do not allow for safe handling and control of the tool in unexpected situations.

5 SERVICE

- a. **Have your power tool serviced by a qualified repair person using only identical replacement parts.** This will ensure that the safety of the power tool is maintained.

Machine-related safety instructions

- **Hold power tool by insulated gripping surfaces, when performing an operation where the cutting accessory may contact hidden wiring or its own cord.** Cutting accessory contacting a "live" wire may make exposed metal parts of the power tool "live" and could give the operator an electric shock.
- **Use clamps or another practical way to secure and support the workpiece to a stable platform.** Holding the workpiece by hand or against your body leaves it unstable and may lead to loss of control.
- **Stroboscopic light can cause epileptic seizures.** Do not use this machine if you are susceptible to epileptic seizures.

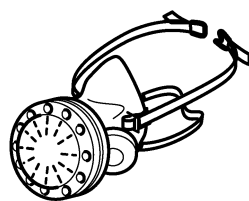
- Do not look into the stroboscope light. Looking into the light source can damage your vision.

Health hazard by dust



WARNING! Various dust created by power sanding, sawing, grinding, drilling and other construction activities contains chemicals known (to the State of California) to cause cancer, birth defects or other reproductive harm. Some examples of these chemicals are:

- lead from lead-based paints,
- crystalline silica from bricks and cement and other masonry products, and
- arsenic and chromium from chemically treated lumber.



The risk from these exposures varies, depending on how often you do this type of work. To reduce your exposure to these chemicals: work in a well ventilated area, and work with approved safety equipment, such as dust masks that are specially designed to filter out microscopic particles. Wash hands after handling.

approved safety equipment, such as dust masks that are specially designed to filter out microscopic particles. Wash hands after handling.



WARNING

TO REDUCE THE RISK OF INJURY, USER MUST READ INSTRUCTION MANUAL.

Technical data

Jigsaws	PS 420 EBQ	PSB 420 EBQ
Power		400 W
Stroke speed	1500 - 3800 rpm	1000 - 3800 rpm
Stroke length		26 mm (1.02 ")
Pendulum stroke		4 steps
max. inclination (only with accessory angle table WT-PS 400)		45° to both sides
max. cutting depth (depending on saw blade)		
	Wood	4-3/4" (120 mm)
	Aluminium	3/4" (20 mm)
	Steel	3/8" (10 mm)
Weight		4.2 lb. (1.9 kg)

Functional description

The pictures for the functional description are on a fold-out page at the beginning of the instruction

manual. While reading the manual you can fold out the page for comparison and quick reference.

- [1-1] Chip guard
- [1-2] On/Off switch
- [1-3] Variable speed trigger (only PSB 420 EBQ)
- [1-4] Switch lock (only PSB 420 EBQ)
- [1-5] Adjusting wheel for stroke speed control
- [1-6] Swivel plug-it connection (only PS 420 EBQ)
- [1-7] Mains power cable
- [1-8] Extractor connector
- [1-9] Saw table change lever
- [1-10] Saw blade ejection
- [1-11] Replaceable saw table
- [1-12] Pendulum stroke switch
- [1-13] Base runner

Intended use

Jigsaws are designed for sawing wood and materials similar to wood. With the special saw blades offered by Festool, these machines can also be used for sawing plastic, steel, aluminium, non-ferrous metal and ceramic plates.

Festool electric power tools must only be installed on work tables provided by Festool for this purpose.

pose. If the tool is installed in another, or self-made, work table, it can become unstable and result in serious accidents.



WARNING

The user will be liable for damage due to improper use.

Operation



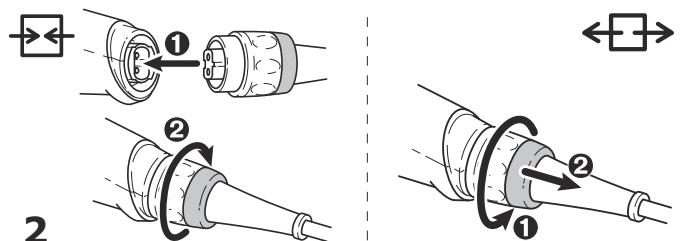
WARNING

Unauthorised voltage or frequency!

Risk of accident

- ▶ The mains voltage and the frequency of the power source must correspond with the specifications on the machine's name plate.
- ▶ In North America, only Festool machines with the voltage specifications 120 V/60 Hz may be used.

Connecting and detaching the mains power cable [1-7] see Fig. [2].



- ▶ Insert the plug into a socket.

Extension Cord

If an extension cord is required, it must have sufficient cross-section to prevent an excessive drop in voltage or overheating. An excessive drop in voltage reduces the output and can lead to failure of the motor. The table below shows you the correct cord diameter as a function of the cord length for this tool.

Total Extension Cord Length (feet)	25	50	100	150
Cable size (AWG)	18	16	16	14

Use only U.L. and CSA listed extension cords.

Never use two extension cords together. Instead, use one long one.

① The lower the AWG number, the stronger the cord.

Settings

Consider the pictures on the fold-out page.



WARNING

Risk of injury, electric shock

► Always pull the mains plug out of the socket before performing any type of work on the machine!

Stroke speed control

The number of strokes can be adjusted steplessly with the adjusting wheel **[1-5]** between 1500 and 3800 rpm (PSB 420 EBQ: 1000 - 3800 rpm). This enables you to optimise the cutting speed to suit the respective material.

In position **A**, the automatic load detection is activated: The stroke speed is reduced in no-load operation and is restricted to the highest value when the blade enters the workpiece.

Recommended stroke speed (position of the adjusting wheel)

Hard and soft wood, plywood board, plywood, chip board	A
Hardboard	4 - A

Recommended stroke speed (position of the adjusting wheel)

Plastic	3 - A
Ceramic, aluminium, non-ferrous metals	3 - 5
Steel	2 - 4

Adjusting the pendulum stroke

In order to process different materials with an optimum feed movement the pendulum jigsaws have an adjustable pendulum stroke. Select the desired setting with the pendulum stroke switch **[1-12]**:

setting 0 = pendulum stroke off

setting 3 = maximum pendulum stroke

Recommended settings of the pendulum stroke

Hard and soft wood, chip board, wood fibre board	1 - 3
Wood core plywood, plywood, plastics	1 - 2
Ceramic	0
Aluminium, NF metals	0 - 2
Steel	0 - 1

Using the chip guard

The chip guard [1-1] prevents chips from flying away and improves the efficiency of the chip extraction system.

- ▶ Using minimal pressure, push the chip guard [1-1] downwards.

Changing saw table

- ▶ Open the change lever [1-9].
 - ▶ Removing the saw table downwards.
- ① Assembly is performed in reverse sequence to removal. Ensure that the saw table is firmly seated in the guide.

Instead of the saw table, the angle table WT-PS 400 or adaptation table ADT-PS 400 can be installed at the support.

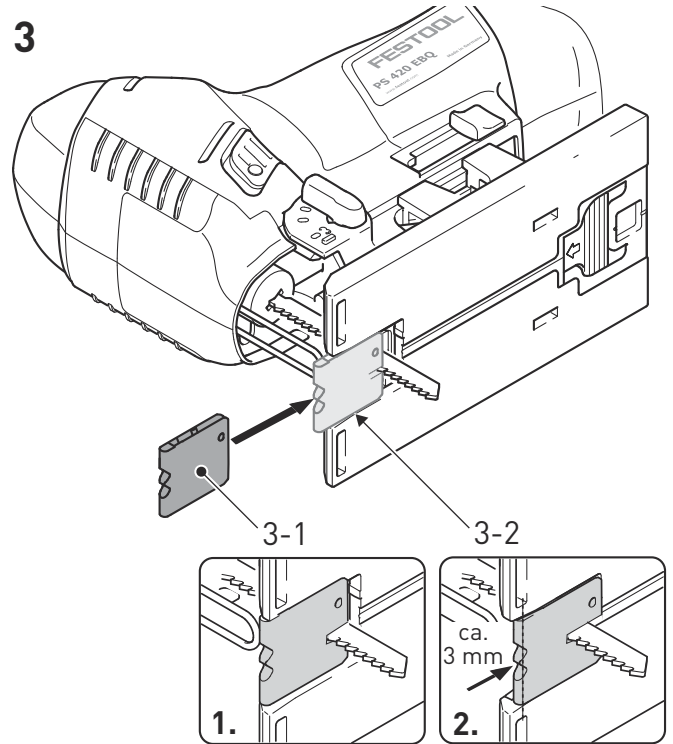
- ⚠ Never saw without the saw table, or one of the other tables offered in the Festool accessories program.

Inserting the splinterguard

The splinterguard ensures a smooth, splinter-free cutting edge, even when exiting the material.

- ▶ Switch off the machine and slide down the splinterguard [3-1] into the guide [3-2] and up to the saw blade,
 - ▶ Switch on the jigsaw,
 - ▶ On a level surface, slide in the splinterguard **(not using your hand!)** while the machine is operating until it is level with the front edge of the saw base (speed setting 5). This breaks in the splinterguard.
- ① If machine shows obvious signs of wear, push the splinterguard approx. 3 mm further to the rear and continue using it.
- ① To guarantee reliable operation of the splinterguard, it must seal tightly on both sides of the saw blade. A new splinterguard should there-

fore be fitted after every saw blade change to guarantee splinter-free cuts.



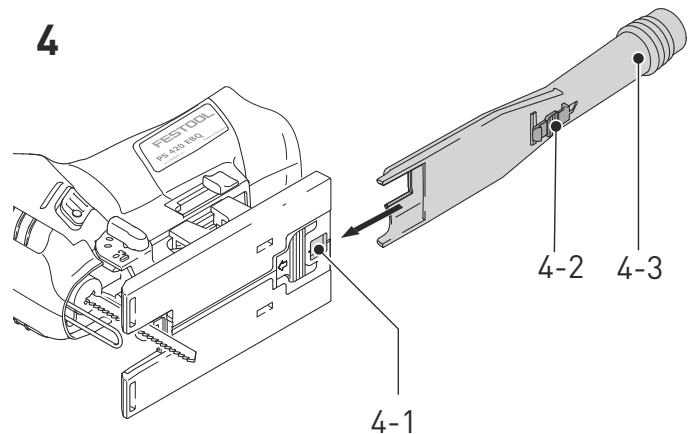
Dust extraction



WARNING

Dust hazard


- ▶ Dust can be hazardous to health. Always work with a dust extractor.
- ▶ Always read applicable national regulations before extracting hazardous dust.



The extraction adapter **[4-3]** allows jigsaws to be connected to a dust extractor (hose diameter 27 mm).

- ▶ Insert the extraction adapter into the rear opening of the saw table so that the hook **[4-2]** engages in the **[4-1]** recess.
- ▶ To remove the extraction adapter, press the hook **[4-2]**.
- ① Due to the low power consumption of the machine (low energy consumption), dust extractors with an automatic switch-on function will sometimes only start up when the actual cut is made.
- ▶ Set the dust extractor to continuous operation for special applications (e.g. low stroke rate, soft wood).


Changing tools




CAUTION

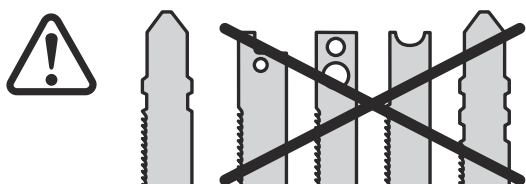
Hot and sharp tools
Risk of injury

- ▶ Do not use insert tools that are blunt or defective.
- ▶ Wear protective gloves.

 Deformed or cracked saw blades and saw blades with blunt or broken cutting edges must not be used.


Selecting saw blade

 Only use saw blades with a T-shank. The saw blade should not be longer than that required for the intended cut. To ensure safe guidance, during the cut the saw blade should emerge at the bottom of the workpiece with each stroke.



① Only use cross-set saw blades when using the angle and adapter table. We recommend Festool saw blade S 105/4 FSG.

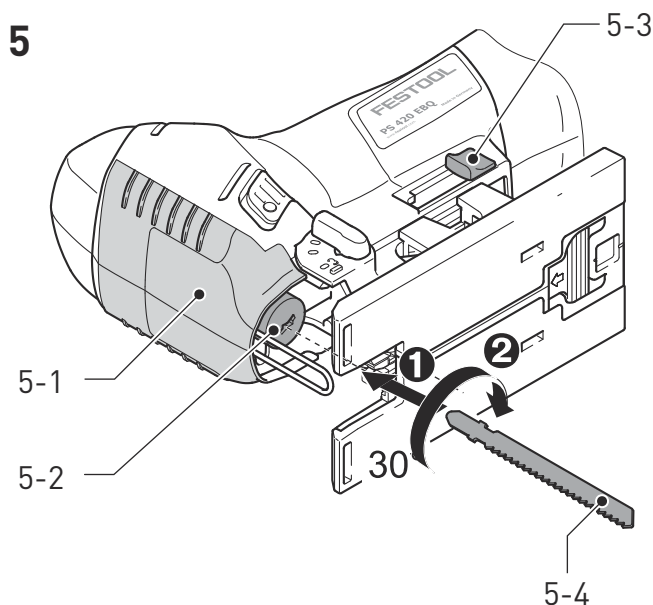
Inserting saw blade




WARNING

Risk of injury, electric shock

- ▶ Always pull the mains plug out of the socket before performing any type of work on the machine!



- ▶ If necessary, lift up the chip guard **[1-1]**.
- ▶ Slide the saw blade **[5-4]** into the opening **[5-2]** as far as the stop with its teeth in the cutting direction.
- ▶ Turn the saw blade **[5-4]** clockwise approx. 30°.

 Check that the saw blade is secure. A loose saw blade can fall out and cause an injury.

① If the saw blade is very small, it is advisable to remove the saw base (see chapter) before inserting the saw blade.

Adjust the saw blade guide after every saw blade change:

The saw blade guide was designed to improve guidance of the saw blade.

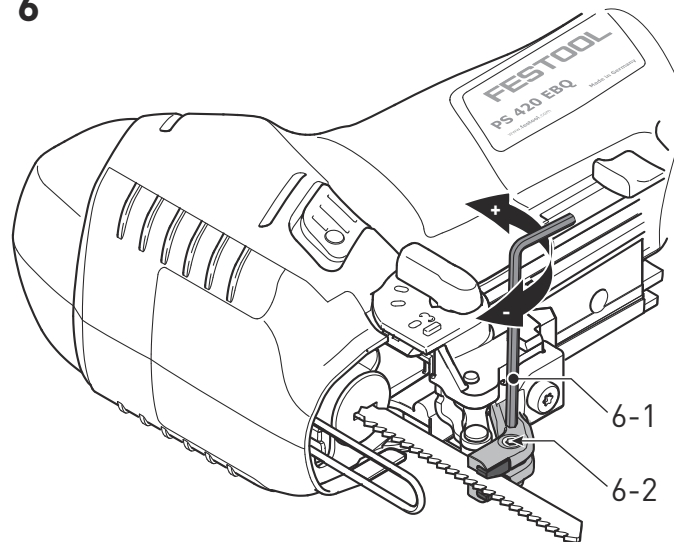
- ▶ Remove the saw base (see chapter Changing saw table).
- ▶ Tighten the screw [6-2] using the Allen key [6-1] until the jaws are almost touching the saw blade.

NOTE

Damage to the machine or saw blade

- ▶ Do not tighten the screw [6-2] too firmly! It must be possible to move the saw blade slightly.

6



Ejecting saw blade

- ⓘ When ejecting the saw blade, hold the electric power tool such that no persons or animals can be injured.
- ▶ Push the saw blade ejection [5-3] forwards as far as the stop.
- ⓘ A tool change is only possible when the tool holder is located in the upper position!

If the saw blade is stuck and cannot be changed:
Operate the jigsaw at high speed for 3 - 10 seconds.
Actuate the saw blade ejection [5-3] again.

Working with the machine



CAUTION

Material with high dust generation (e.g. plaster-board)

Damage to machine through dust penetration, risk of injury

- ▶ Do not work overhead!



WARNING

Risk of injury

- ▶ With the tool switched off and unplugged, check for tight fit of the sawblade before starting to work
- ▶ Always apply the pendulum jigsaw to the workpiece with the sawblade running.
- ▶ Wait until the power tool stops completely until placing it down. The tool can become entangled and lead to a loss of control of the power tool.

When working on small or thin workpieces, always use a stable base.

When working, hold the electric power tool by the handle and guide it along the desired cutting line.

For precise cuts and smooth running, use two hands to guide the electric power tool.

Free saw guidance along a scribe mark


The triangular pointer on the splinterguard **[3-1]** indicates the cutting line of the saw blade. This facilitates sawing along a scribe mark.

Switch on/off

The electric power tool has one button **[1-2]** on each side for switching on/off.

The PSB 420 EBQ also has a variable speed trigger **[1-3]** with switch lock **[1-4]**. For continuous operation, use the button **[1-2]**.


Lighting

 **WARNING**

The stroboscope light may make it difficult to determine the saw blade position

Risk of injury

► Ensure the work area is well illuminated.

 **WARNING**

Looking into the light source can damage your vision.

► Do not look into the stroboscope light.

A continuous light or stroboscope is installed for illuminating the cutting line:

up to approx. 2100 rpm: continuous light

from approx. 2100 rpm: stroboscope light

① In overhead position (+/- 45°), the lighting is switched off completely.


If required, you can adjust the lighting:

- Plug in the electric power tool.
- Press both buttons simultaneously **[1-2]** and hold for approx. 10 s until a beep sounds.
- Release both buttons **[1-2]**.
- Press the left button (on the pendulum stroke side) to select the stroke speed and consequently the desired operating mode:

Mode	Indication during configuration	Behaviour during operation
1	Light flashes	With stroboscope (standard)
2	Light on	Permanent light without stroboscope
3	Light off	Light switched off

- Press the right button to save the setting.

Metalworking

-  The following precautions are to be taken when processing metals for safety reasons:
- Pre-connect a residual current circuit-breaker (FI, PRCD).
 - Connect the machine to a suitable dust extractor.
 - Clean tool regularly of dust accumulations in the motor housing.



Wear protective goggles.

Accessories

Use only original Festool accessories and Festool consumable material intended for this machine. These components are designed specifically for this machine. Using accessories and consumable material from other suppliers will most likely affect

the quality of your results and limit warranty claims. Machine wear or your own personal workload may increase depending on the application. Protect yourself and your machine, and preserve

your warranty claims by always using original Festool accessories and Festool consumable material!

The order numbers of the accessories and tools can be found in the Festool catalogue or on the Internet under "www.festoolusa.com".



WARNING

Risk of injury, electric shock

- ▶ Always pull the mains plug out of the socket before performing any type of work on the machine!

Saw blades, other accessories

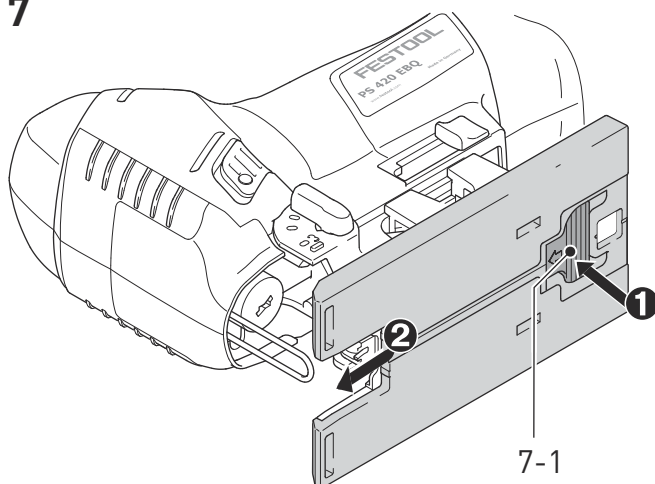
In order to saw different materials quickly and cleanly, Festool offers saw blades for all applications that are specially designed for your Festool jigsaw.

Sawing with special base runners

The special base runners protect high-quality surfaces against scratches and scores.

- ▶ Press in the base runner at position [7-1].
- ▶ At the same time, push the base runner forwards.
- ▶ Mount another base runner and push it to the rear until it engages.

7



Sawing with the angle table

The angle table WT-PS 400 is used for cutting pipes or interior and exterior angles up to 45°.



Dust extraction is not possible when sawing with the angle table!

Installing the angle table

- ▶ Remove the saw base [1-11], (see chapter).
- ▶ Position the angle table against the saw base support.
- ▶ Close the lever [1-9].

Ensure that the angle table is firmly seated in the guide.

Setting the angle

- ▶ Turn the adjusting wheel [8-1] to select the required angle.

You can select the angles -45°, 0° and +45° on the scale [8-2].



WARNING

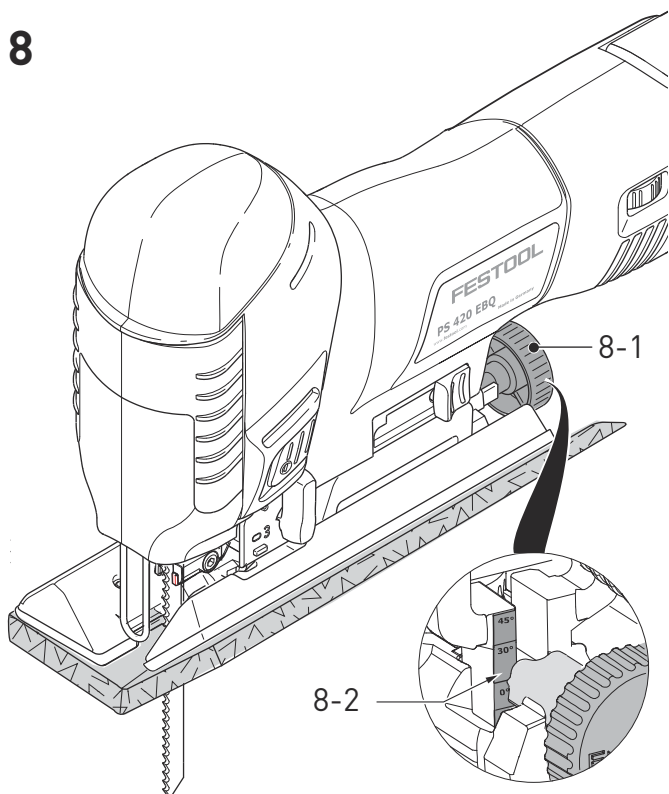
Sawing cutting depths

Risk of injury

- ▶ Select the saw blade length and cutting depth so that the saw blade remains plunged in the work-piece.

- ① For 90° cuts, we recommend setting the angle table to a small negative angle to guarantee smooth operation.

8



Sawing with the adaptation table

The adaptation table ADT-PS 400 is used for attaching your jigsaw to the Festool guide rail, the circle cutter KS-PS 400 and the CMS modular system.

- ⚠ **With guide rail and circle cutter:** do not exceed max. material thickness of 20 mm and always use cross-set saw blades (FSG).

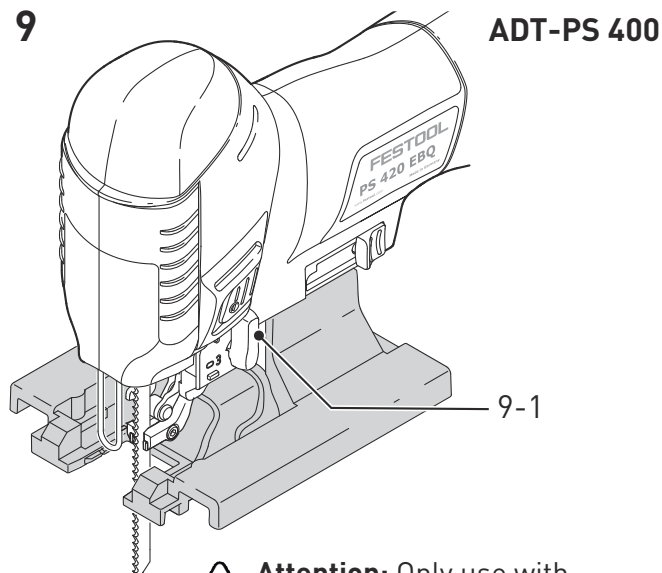
Installing the adaptation table

- ▶ Remove the saw table [1-11], (see chapter- Changing saw table).
- ▶ Mount the adaptation table [9-1] on the saw table support.
- ▶ Close the change lever [1-9].

Ensure that the adaptation table is firmly seated in the guide.

- ① Use the extractor connector [1-8] also with the adaptation table.

9

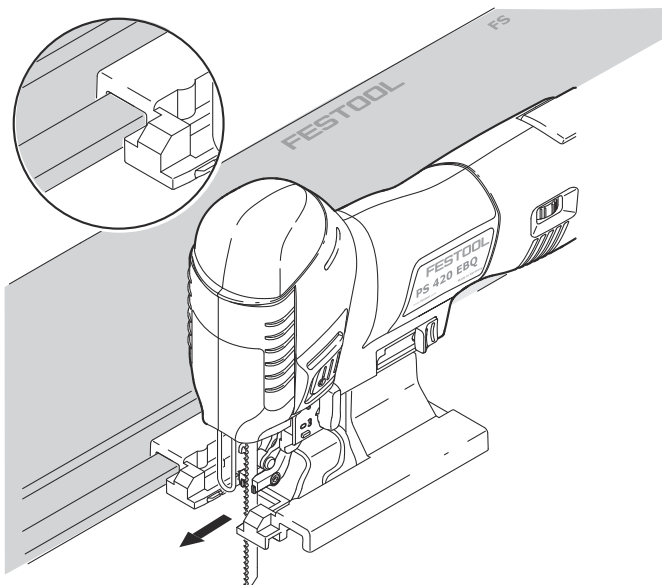


- ⚠ **Attention:** Only use with materials thinner than 20mm and cross-set sawblade!

Adaptation to the guide rail FS 2

The Festool guide system FS 2 (Fig. [10]) makes it much easier to manufacture straight precision cuts.

- ▶ Place the jigsaw with attached adaptation table [9-1] on the guide rail.



10

Adaptation to the circle cutter

The circle cutter can be used to create circular cuts with a diameter between 120 and 3000 mm. The circle cutter can be installed from both sides on the adaptation table.

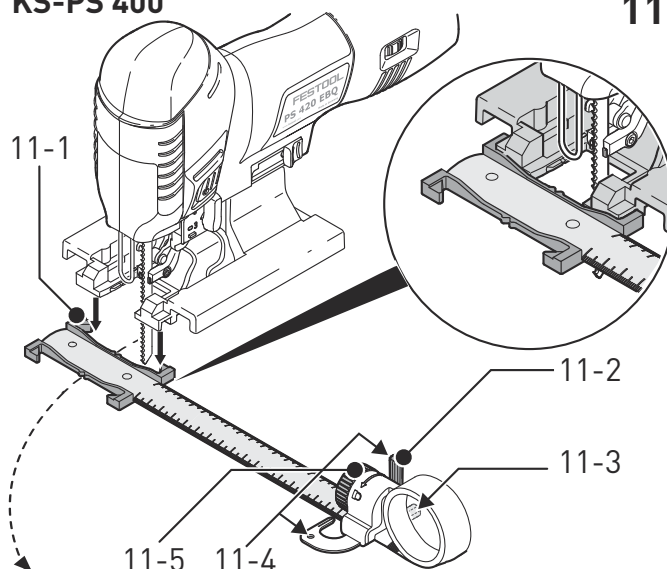
- ▶ Place the jigsaw with attached adaptation table on the adapter **[11-1]** on the circle cutter.
- ▶ Insert the centring mandrel **[11-2]** in the hole **[11-4]** on the circle cutter aligned with the saw blade.
- ▶ Clamp the measuring tape to the circle cutter using the rotary knob **[11-5]**.

Recommended when using the circle cutter:

- ▶ Cut in an anticlockwise direction.
 - ▶ Work at a slow rate of advance.
 - ▶ Set the pendulum stroke **[1-12]** to 0 - 1.
 - ▶ Set the stroke rate **[1-5]** to 1 - 5.
- ① Store the centring mandrel in the depot **[11-3]**.

KS-PS 400

11



Systainer

Systainer

Many Festool products are shipped in a unique system container, called "Systainer". This provides protection and storage for the tool and accessories. The Systainers are stackable and can be interlocked together. They also can be interlocked atop Festool CT dust extractors.

To open the Systainer



Turn the T-loc **[12-1]** to this position.

To lock the Systainer



Turn the T-loc **[12-1]** to this position.

To connect two Systainers

Place one Systainer on the top of the other (Fig. **[12 A]**).

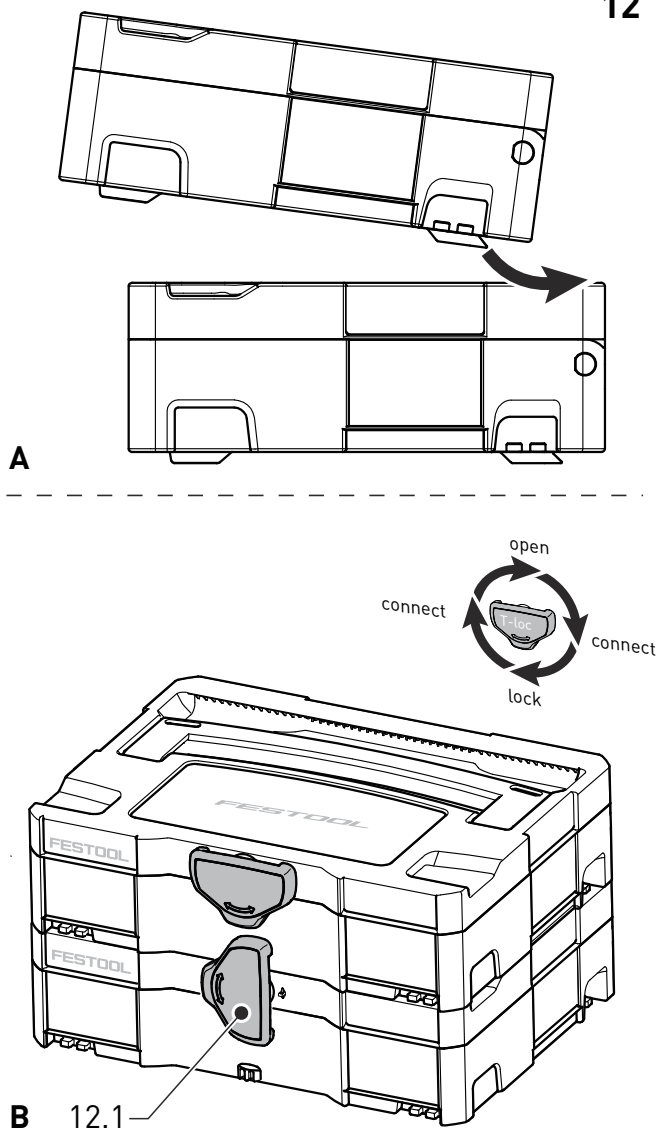


Turn the T-loc **[12-1]** to one of this positions (Fig. **[12 B]**).

The Systainers are connected and locked.

- ① A new generation Systainer is connectable on top of a previous generation Systainer by the four latches of the previous Systainer.

12



Service and maintenance



WARNING

Any maintenance or repair work that requires opening of the motor or gear housing should only be carried out by an authorised Customer Service Centre (name supplied by your dealer)!

- Maintenance or repair work carried out by an unauthorised person can lead to the wrong connection of the power cord or other components, which in turn can lead to accidents with serious consequences.



WARNING

Risk of injury, electric shock

- Always pull the mains plug out of the socket before performing any type of work on the machine!

Damaged safety devices and components must be repaired or replaced in a recognised specialist workshop, unless otherwise indicated in the operating manual.

To ensure constant air circulation, always keep the cooling air openings in the motor housing clean and free of any obstruction.

- Check the guidance roller regularly for wear.
- Regularly remove dust deposits from the chip

guard.

scratches and cores on the surface.

- Regularly clean the base runner to prevent

Environment

Do not throw the power tool in your household waste! Dispose of machines, accessories and

packaging at an environmentally responsible recycling centre. Observe the valid national regulations.

Sommaire

Symboles	20
Consignes de sécurité	20
Caractéristiques techniques	23
Description fonctionnelle	23
Utilisation en conformité avec les instructions.....	23
Mise en service	24
Réglages	24
Travail avec la machine	28
Accessoires.....	29
Entretien et maintenance	33
Environnement	34

.../min tours ou course par minute


min⁻¹


" pouce


lb. livre


 Diamètre


 Information, astuce


 Avertissement de danger général


 Risque d'électrocution


 Lire les instructions / les remarques !


 Porter un masque de protection !

 Portez une protection auditive !


 Portez des lunettes de protection !

 Porter des gants de protection !

 Débrancher la prise secteur !


 Ne pas jeter dans la poubelle domestique!

Symboles

V	Volt
A	Ampère
Hz	Hertz
~	Tension alternative
a.c.	
---	courant continu
d.c.	
n ₀	Vitesse de rotation à vide
	Classe II conception

Consignes de sécurité

Consignes de sécurité d'ordre général

 **ATTENTION !** Lire toutes les consignes de sécurité, des instructions, des illustrations et des indications fournies avec cet outil électrique. Le non-respect des instructions indiqués ci-après peut entraîner un choc électrique, un incendie et/ou de graves blessures.

Conserver tous les avertissements et toutes les instructions pour pouvoir s'y reporter ultérieurement.

Le terme " outil " dans les avertissements fait référence à votre outil électrique alimenté par le secteur (avec cordon d'alimentation) ou votre outil

fonctionnant sur batterie (sans cordon d'alimentation).

1 PLACE DE TRAVAIL

- Maintenez l'endroit de travail propre et bien éclairé.** Un lieu de travail en désordre ou mal éclairé augmente le risque d'accidents.
- N'utilisez pas l'appareil dans un environnement présentant des risques d'explosion et où se trouvent des liquides, des gaz ou poussières inflammables.** Les outils électroportatifs génèrent des étincelles risquant d'enflammer les poussières ou les vapeurs.
- Tenez les enfants et autres personnes éloignés durant l'utilisation de l'outil électroportatif.** En

cas d'inattention vous risquez de perdre le contrôle sur l'appareil.

2 SECURITE RELATIVE AU SYSTEME ELECTRIQUE

- a. **La fiche de secteur de l'outil électroportatif doit être appropriée à la prise de courant. Ne modifiez en aucun cas la fiche. N'utilisez pas de fiches d'adaptateur avec des appareils avec mise à la terre.** Les fiches non modifiées et les prises de courant appropriées réduisent le risque de choc électrique.
- b. **Evitez le contact physique avec des surfaces mises à la terre tels que tuyaux, radiateurs, fours et réfrigérateurs.** Il y a un risque élevé de choc électrique au cas où votre corps serait relié à la terre.
- c. **N'exposez pas l'outil électroportatif à la pluie ou à l'humidité.** La pénétration d'eau dans un outil électroportatif augmente le risque d'un choc électrique.
- d. **N'utilisez pas le câble à d'autres fins que celles prévues, n'utilisez pas le câble pour porter l'appareil ou pour l'accrocher ou encore pour le débrancher de la prise de courant. Maintenez le câble éloigné des sources de chaleur, des parties grasses, des bords tranchants ou des parties de l'appareil en rotation.** Un câble endommagé ou torsadé augmente le risque d'un choc électrique.
- e. **Au cas où vous utiliseriez l'outil électroportatif à l'extérieur, utilisez une rallonge autorisée homologuée pour les applications extérieures.** L'utilisation d'une rallonge électrique homologuée pour les applications extérieures réduit le risque d'un choc électrique.
- f. **Si l'usage d'un outil dans un emplacement humide est inévitable, utiliser une alimentation protégée par un dispositif à courant différentiel résiduel (RCD).** L'usage d'un RCD réduit le risque de choc électrique.

3 SECURITE DES PERSONNES

- a. **Restez vigilant, surveillez ce que vous faites. Faites preuve de bon en utilisant l'outil électroportatif. N'utilisez pas l'appareil lorsque vous êtes fatigué ou après avoir consommé de l'alcool, des drogues ou avoir pris des médicaments.** Un moment d'inattention lors de l'utilisation de l'appareil peut entraîner de graves blessures sur les personnes.
- b. **Portez des équipements de protection. Portez toujours des lunettes de protection.** Le fait de porter des équipements de protection personnels tels que masque anti-poussières, chaussures de

sécurité antidérapantes, casque de protection ou protection acoustique suivant le travail à effectuer, réduit le risque de blessures.

- c. **Evitez une mise en service par mégarde. Assurez-vous que l'interrupteur est effectivement en position d'arrêt avant de retirer la fiche de la prise de courant.** Le fait de porter l'appareil avec le doigt sur l'interrupteur ou de brancher l'appareil sur la source de courant lorsque l'interrupteur est en position de fonctionnement, peut entraîner des accidents.
- d. **Enlevez tout outil de réglage ou toute clé avant de mettre l'appareil en fonctionnement.** Une clé ou un outil se trouvant sur une partie en rotation peut causer des blessures.
- e. **Ne surestimez pas vos capacités. Veillez à garder toujours une position stable et équilibrée.** Ceci vous permet de mieux contrôler l'appareil dans des situations inattendues.
- f. **Portez des vêtements appropriés. Ne portez pas de vêtements amples, ni de bijoux. Gardez les cheveux et les vêtements à distance des pièces mobiles.** Des vêtements amples, des bijoux ou des cheveux longs peuvent être happés par les pièces en mouvement.
- g. **Si des dispositifs servant à aspirer ou à recueillir les poussières doivent être utilisés, vérifiez que ceux-ci soient effectivement raccordés et qu'ils sont correctement utilisés.** L'utilisation de tels dispositifs réduit les dangers dus aux poussières.
- h. **Ne devenez pas trop sûr de vous, par habitude suite à une utilisation fréquente de l'appareil, de manière à ne pas respecter les principes de sécurité de base de l'appareil.** Une action imprudente peut occasionner de graves blessures en l'espace d'une fraction de seconde.

4 UTILISATION ET EMPLOI SOIGNEUX DE L'OUTIL ELECTROPORTATIF

- a. **Ne surchargez pas l'appareil. Utilisez l'outil électroportatif approprié au travail à effectuer.** Avec l'outil électroportatif approprié, vous travaillerez mieux et avec plus de sécurité à la vitesse pour laquelle il est prévu.
- b. **N'utilisez pas un outil électroportatif dont l'interrupteur est défectueux.** Un outil électroportatif qui ne peut plus être mis en ou hors fonctionnement est dangereux et doit être réparé.
- c. **Retirer la fiche de la prise de courant avant d'effectuer des réglages sur l'appareil, de changer les accessoires, ou de ranger l'appareil.** Cette

mesure de précaution empêche une mise en fonctionnement par mégarde.

- d. **Gardez les outils électroportatifs non utilisés hors de portée des enfants. Ne permettez pas l'utilisation de l'appareil à des personnes qui ne se sont pas familiarisées avec celui-ci ou qui n'ont pas lu ces instructions.** Les outils électroportatifs sont dangereux lorsqu'ils sont utilisés par des personnes non initiées.
- e. **Prenez soin des outils électroportatifs. Vérifiez que les parties en mouvement fonctionnent correctement et qu'elles ne soient pas coincées, et contrôlez si des parties sont cassées ou endommagées de telle sorte que le bon fonctionnement de l'appareil s'en trouve entravé. Faites réparer les parties endommagées avant d'utiliser l'appareil.** De nombreux accidents sont dus à des outils électroportatifs mal entretenus.
- f. **Maintenez les outils de coupe aiguisés et propres.** Des outils soigneusement entretenus avec des bords tranchants bien aiguisés se coincent moins souvent et peuvent être guidés plus facilement.
- g. **Utilisez les outils électroportatifs, les accessoires, les outils à monter etc. conformément à ces instructions et aux prescriptions en vigueur pour ce type d'appareil. Tenez compte également des conditions de travail et du travail à effectuer.** L'utilisation des outils électroportatifs à d'autres fins que celles prévues peut entraîner des situations dangereuses.
- h. **Gardez les poignées dans un état sec, propre et exempt d'huile et de graisse.** Des poignées glissantes ne permettent pas une prise en main sûre et le contrôle de l'outil électrique dans des situations inattendues.

5 SERVICE

- a. **Ne faites réparer votre outil électroportatif que par un personnel qualifié et seulement avec des pièces de rechange d'origine.** Ceci permet d'assurer la sécurité de l'appareil.

Consignes de sécurité spécifiques à la machine

- **Ne tenez la machine que par l'intermédiaire des poignées isolées, si vous êtes susceptibles de toucher des lignes électriques cachées ou votre propre câble électrique lorsque vous travaillez avec la machine.** Si des outils touchent des lignes électriques, des pièces métalliques de la

machine peuvent être mises sous tension et asséner une décharge électrique à l'utilisateur.

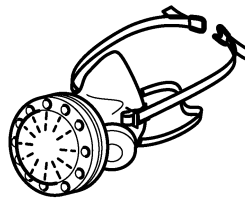
- **Fixez et bloquez la pièce au moyen de serre-joints ou d'une autre manière sur un support stable.** Si vous maintenez la pièce uniquement avec la main ou la bloquez uniquement contre votre corps, elle reste instable, ce qui peut conduire à une perte de contrôle.
- **La lumière stroboscopique peut entraîner des chocs épileptiques chez les personnes sensibles.** N'utilisez pas cette machine si vous souffrez d'épilepsie.
- Ne regardez pas en direction de la lumière stroboscopique. Le regard dans la source lumineuse risque d'endommager la vue.

La poussière, un risque pour la santé



AVERTISSEMENT! Certaines poussières créées par le ponçage mécanique, le sciage, le meulage, le perçage et autres activités reliées à la construction contiennent des substances chimiques connues (dans l'État de la Californie) comme pouvant causer le cancer, des anomalies congénitales ou représenter d'autres dangers pour la reproduction. Voici quelques exemples de telles substances:

- plomb provenant de peintures à base de plomb,
- silice cristallisée utilisée dans les briques, le ciment et autres matériaux de maçonnerie, et
- arsenic et chrome du bois d'oeuvre traité avec un produit chimique.



Le risque d'exposition à de tels produits varie selon la fréquence à laquelle vous faites ce genre de travail. Pour réduire les risques d'exposition à ces substances chimiques : travaillez dans un endroit adéquatement ventilé et utilisez un équipement de sécurité approuvé, tel que masques antipoussières spécialement conçus pour filtrer les particules microscopiques.



AVERTISSEMENT

POUR RÉDUIRE LE RISQUE DE DOMMAGES, L'UTILISATEUR DOIT LIRE LE MANUEL D'INSTRUCTION.

Caractéristiques techniques

Scies sauteuses	PS 420 EBQ	PSB 420 EBQ
Puissance	400 W	
Cadence de coupe	1500 - 3800 tr/mn	1000 - 3800 tr/mn
Longueur de course	26 mm (1.02 ")	
Course pendulaire	4 paliers	
Position inclinée max. (uniquement avec accessoire table angulaire WT-PS 400)	45° des deux côtés	
Profondeur de coupe max. (en fonction de la lame de scie)		
	Bois	4-3/4" (120 mm)
	Aluminium	3/4" (20 mm)
	Acier	3/8" (10 mm)
Poids	4.2 lb. (1.9 kg)	

Description fonctionnelle

Des éléments fournis sont disponibles sur le volet qui se trouve au début de cette notice d'utilisation. Vous pouvez ainsi déplier cette page et visualiser en permanence les différentes parties de l'outil lorsque vous lisez la notice.

- [1-1] Protecteur contre les projections de copeaux
- [1-2] Interrupteur de marche/arrêt
- [1-3] Gâchette d'accélération (uniquement PSB 420 EBQ)
- [1-4] Blocage de mise en marche (uniquement PSB 420 EBQ)
- [1-5] Molette de réglage de la cadence de coupe
- [1-6] Raccord plug-it orientable (uniquement PS 420 EBQ)
- [1-7] Câble de raccordement secteur
- [1-8] Raccord d'aspiration
- [1-9] Levier pour table de sciage
- [1-10] Ejecteur de lame de scie
- [1-11] Table de sciage interchangeable
- [1-12] Commutateur de course pendulaire
- [1-13] Semelle

Utilisation en conformité avec les instructions

Les scies sauteuses sont conçues de façon conforme aux prescriptions pour le sciage de bois et de matériaux similaires. Avec les lames de scie spéciales proposées par Festool, vous pouvez également utiliser les machines pour le sciage de plas-

tiques, d'acier, d'aluminium, d'alliages cuivre / zinc et de plaques en céramiques.

Les outils électriques de Festool doivent uniquement être montés sur des tables de travail prévues par Festool à cet effet. Le montage sur d'autres tables de travail ou des tables réalisées

par soi-même peut rendre l'outil électrique instable et conduire à de graves accidents



AVERTISSEMENT

Seul l'utilisateur est tenu responsable des dommages qui résulteraient d'une utilisation non conforme aux prescriptions.

Mise en service



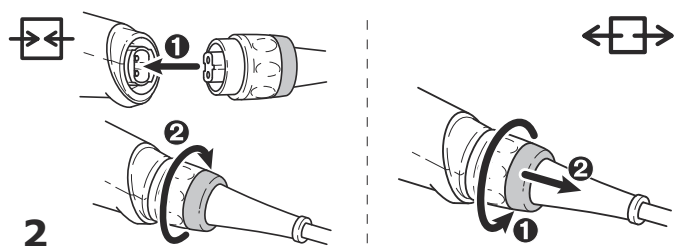
AVERTISSEMENT

Tension ou fréquence non admissible !

Risque d'accident

- La tension et la fréquence d'alimentation électrique doivent être conformes aux indications de la plaque signalétique.
- En Amérique du nord, utilisez uniquement les outils Festool fonctionnant sous une tension de 120 V/60 Hz.

Voir en figure [2] a connexion et la déconnexion du câble de raccordement [1-7] au secteur.



- Branchez la fiche secteur dans une prise de courant.

Rallonge électrique

Si une rallonge électrique est nécessaire, elle doit présenter une section suffisante afin d'éviter une chute de tension excessive ou une surchauffe. Une chute de tension excessive réduit la puissance et peut entraîner la destruction du moteur. Le tableau ci-dessous vous présente la section correcte de la rallonge en fonction de sa longueur pour cette appareil.

Longueur totale de la rallonge (pieds)	25	50	100	150
Section de la rallonge (AWG)	18	16	10	8

Utilisez exclusivement des rallonges recommandées par U.L. et CSA.

N'utilisez jamais deux rallonges raccordées l'une à l'autre, mais remplacez-les par une rallonge plus longue.

- ① Plus le calibre AWG est bas, plus le câble est résistant.

Réglages

Attention aux illustrations au début de la présente notice d'utilisation.



AVERTISSEMENT

Risques de blessures, choc électrique

- Débranchez prise de courant avant toute intervention sur la machine !

Régulation de la cadence de coupe

La molette [1-5] permet de régler en continu la cadence de coupe entre 1500 et 3800 tr/mn (PSB 420 EBQ : 1000 - 3800 tr/mn). Vous pouvez ainsi adapter

de façon optimale la vitesse de coupe à chaque matériau.

En position **A**, la détection de charge automatique est activée : la cadence de coupe est réduite au ralenti et est régulée vers la valeur maximale lorsque la lame entre en contact avec la pièce.

Cadence de coupe recommandée (position de la molette)

Bois durs, bois tendres, lamellés collés, contreplaqués, panneaux de particules	A
Plaques en fibres de bois	4 - A
Matières plastiques	3 - A

Cadence de coupe recommandée (position de la molette)

Céramique, aluminium, métaux non ferreux	3 - 5
Acier	2 - 4

Régler le mouvement pendulaire

Pour pouvoir traiter différents matériaux avec un avancement optimal, les scies sauteuses pendulaires possèdent un mouvement pendulaire réglable. Le commutateur de mouvement pendulaire [1-12] permet de choisir la position qui convient:

position 0 = mouvement pendulaire débrayé

position 3 = mouvement pendulaire maximum

Réglages conseillés du mouvement pendulaire

Bois dur et bois tendre, panneaux d'aggloméré, panneaux de fibres	1 - 3
Lamellé collé, contreplaqué, matériaux synthétiques	1 - 2
Céramique	0
Aluminium, métaux non ferreux	0 - 2
Acier	0 - 1

Utilisation du protecteur contre les projections de copeaux

Le protecteur contre les projections de copeaux [1-1] empêche la projection des copeaux et améliore l'efficacité de l'aspiration des copeaux.

- ▶ Poussez le protecteur contre les projections de copeaux [1-1] vers le bas, en exerçant une légère pression.

Remplacement de la table de sciage

- ▶ Ouvrez le levier [1-9].
- ▶ Retirez la table de sciage par le bas.
- ⓘ Le montage s'effectue dans l'ordre inverse ! Assurez-vous que la table de sciage repose correctement dans le guide.

A la place de la table de sciage, il est possible de monter la table angulaire WT-PS 400 ou la table adaptable ADT-PS 400.



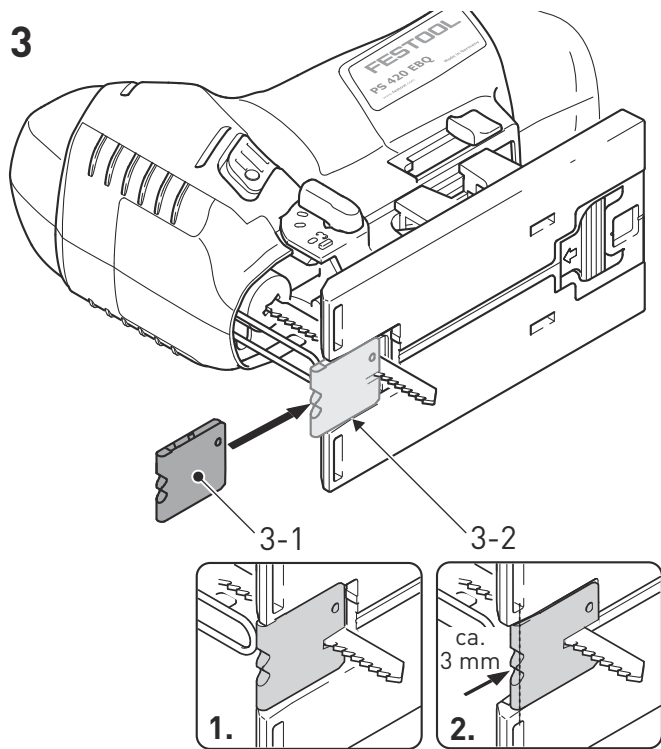
Ne sciez jamais sans la table de sciage, ou l'une des tables proposées par Festool dans sa gamme d'accessoires.

Montage du pare-éclats

Le pare-éclats permet des découpes sans éclats sur le côté sortie de la lame de scie.

- ▶ Machine hors tension, poussez le pare-éclats [3-1] jusqu'à la lame sur le guidage [3-2].
- ▶ Mettez la scie sauteuse en marche,
- ▶ Machine sous tension, poussez le pare-éclats sur une surface plane (**pas avec la main !**) jusqu'à ce qu'il soit au même niveau que le bord avant de la table de sciage (vitesse 5). A cette occasion le pare-éclats est entaillé.
- ⓘ Après l'usure, il est possible de continuer d'utiliser le pare-éclats en le poussant d'env. 3 mm supplémentaires vers l'arrière.
- ⓘ Afin que le pare-éclats fonctionne de façon fiable, il doit se trouver des deux côtés très près de la lame de scie. Pour garantir des découpes sans éclats, un nouveau pare-éclats devrait être monté à chaque changement de lame de scie.

3



Aspiration

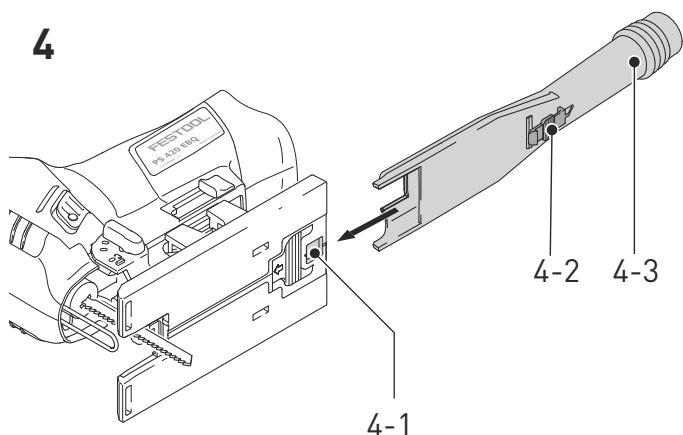


AVERTISSEMENT

Risques pour la santé dus aux poussières

- ▶ Les poussières peuvent être dangereuses pour la santé. Pour cette raison, ne travaillez jamais sans aspiration.
- ▶ Respectez toujours les prescriptions nationales en vigueur lors de l'aspiration de poussières dangereuses pour la santé.

4



L'adaptateur d'aspiration [4-3] permet de raccorder les scies sauteuses à un aspirateur (diamètre de tuyau 27 mm).

- ▶ Insérez l'adaptateur d'aspiration dans l'ouverture arrière de la table de sciage, de manière à

ce que le crochet [4-2] s'engage dans l'évidement [4-1].

- ▶ Pour retirer l'adaptateur d'aspiration, pressez le crochet [4-2].
- ① Du fait de la faible puissance absorbée de la machine (faible consommation d'énergie), les aspirateurs avec dispositif de mise en marche automatique s'enclenchent parfois seulement lors de la coupe effective.
- ▶ Pour certains cas d'application spéciaux (par ex. faible cadence de coupe, bois tendre), réglez l'aspirateur en mode de fonctionnement continu.

Remplacement d'outil



ATTENTION

Outil chaud et tranchant

Risque de blessures

- ▶ Ne pas utiliser d'outil émoussé ou défectueux !
- ▶ Porter des gants de protection.

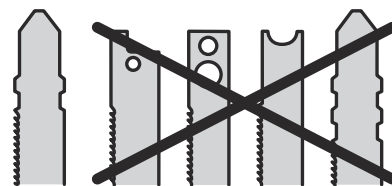


Ne utiliser des lames de scie déformées ou fendues ainsi que des lames de scie avec des taillants émoussés ou défectueux.

Choix de la lame de scie



Utilisez uniquement des lames de scie avec queue à une came (queue en T). La lame de scie ne devrait pas être plus longue que la découpe prévue. Afin de garantir un guidage sûr, lors de la coupe la lame de scie devrait sortir en bas de la pièce en chaque point.



- ① En cas d'utilisation de la table angulaire et de la table adaptable, utilisez uniquement des lames de scie croisées. Nous recommandons l'utilisation de la lame de scie Festool S 105/4 FSG.

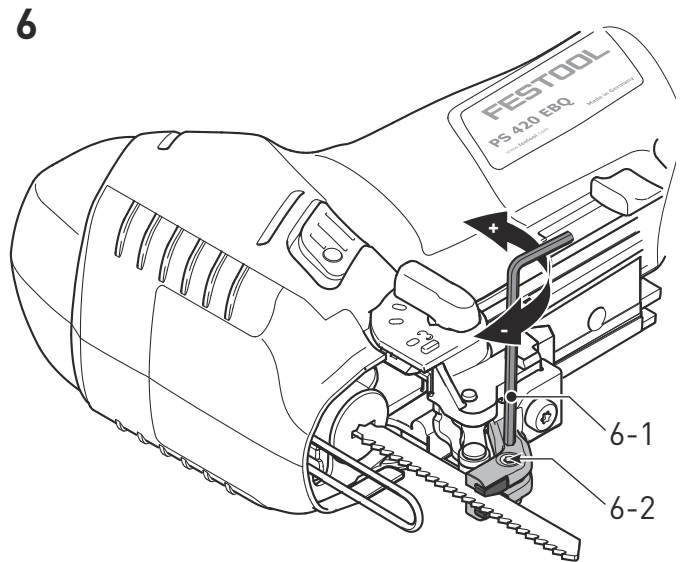
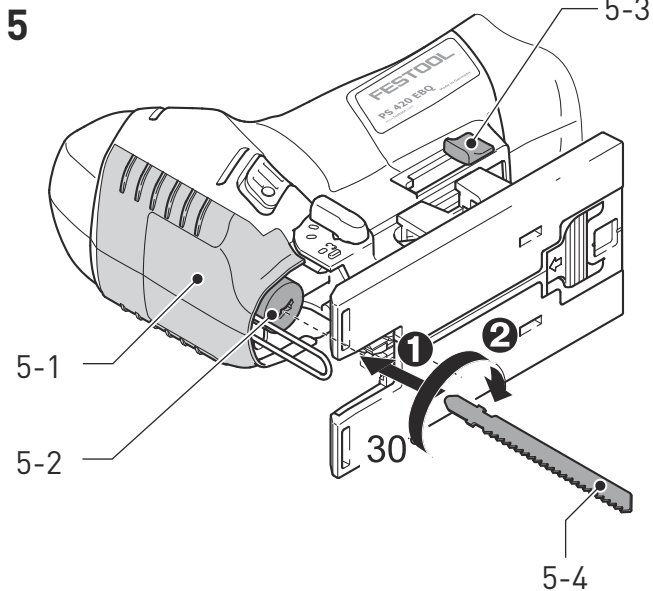
Montage de la lame de scie



AVERTISSEMENT

Risques de blessures, choc électrique

- ▶ Débranchez prise de courant avant toute intervention sur la machine !



- ▶ Poussez le cas échéant le protecteur contre les projections de copeaux [1-1] vers le haut.
- ▶ Placez la lame de scie [5-4] jusqu'à la butée dans l'ouverture de façon à ce que les dents soient dans le direction de coupe [5-2].
- ▶ Tournez la lame de scie [5-4] d'env. 30° dans le sens des aiguilles d'une montre jusqu'à ce qu'elle s'enclenche.



Contrôlez la bonne fixation de la lame de scie. Une lame de scie mal fixée peut être éjectée et vous blesser.

- ⓘ Dans le cas de lames de scie très courtes, il est recommandé de retirer la table de sciage (voir chapitre) avant de monter la lame de scie.

Après chaque changement de lame, réglez le guidage de lame :

Le guidage de lame permet de mieux guider la lame de scie.

- ▶ Retirez la table de sciage (voir chapitre Remplacement de la table de sciage).
- ▶ Serrez la vis [6-2] à l'aide de la clé Allen [6-1] afin que les joues affleurent la lame de scie.

AVIS

Domages de l'outil, de la lame de scie

- ▶ Ne serrez pas trop fort la vis[6-2] ! La lame de scie doit avoir un peu de jeu.

Ejection de la lame de scie

- ⓘ Lors de l'éjection de la lame de scie, maintenez l'outil électrique de manière à ne pas risquer de blesser des personnes ou des animaux par l'éjection de la lame de scie.
- ▶ Poussez le dispositif d'éjection de la lame de scie [5-3] vers l'avant, jusqu'en butée.
- ⓘ Le changement de l'outil est uniquement possible en position supérieure du porte-outil.

Si le changement de lame n'est pas possible : laissez tourner la scie sauteuse pendant 3 à 10 secondes à vitesse élevée puis réessayez. Activez de nouveau [5-3] l'éjecteur de lame de scie.

Travail avec la machine



ATTENTION

Matériaux générant des poussières importantes (p. ex. placoplâtre)

Endommagement de la machine par pénétration de poussières, risques de blessures

- ▶ Ne pas travailler au-dessus de la tête !



AVERTISSEMENT

Risques de blessures

- ▶ Vérifiez que la lame est bien fixée avant de mettre la scie en marche.
- ▶ Il faut toujours approcher la scie de la pièce à scier avec la lame en marche.
- ▶ Arrêtez l'immobilisation complète de la machine électrique avant de la déposer. L'outil peut se bloquer et conduire à une perte de contrôle de la machine électrique.

En travaillant des pièces de petite taille ou des pièces minces, utilisez toujours un support stable.

Maintenez l'outil électrique par le biais de la poignée pendant le travail et guidez-le le long de la ligne de coupe souhaitée. Pour garantir des découpes précises et un fonctionnement sans à-

coups, guidez l'outil électrique avec les deux mains.

Guidage libre le long d'un tracé

Grâce à sa pointe triangulaire, le pare-éclats [3-1] indique la ligne de coupe de la lame de scie. Il facilite de ce fait le sciage le long d'un tracé.

Marche/Arrêt

L'outil électrique est équipé d'un bouton [1-2] des deux côtés pour la mise en marche / l'arrêt.

La scie PSB 420 EBQ dispose en plus d'une gâchette d'accélération [1-3] avec blocage de mise en marche [1-4]. Utilisez le bouton [1-2] pour le fonctionnement en continu.

Eclairage



AVERTISSEMENT

La position de la lame de scie peut être mal perçue du fait de la lumière stroboscopique

Risques de blessures

- ▶ Veillez à un éclairage suffisant au poste de travail.



AVERTISSEMENT

Le regard dans la source lumineuse risque d'endommager la vue.

- ▶ Ne regardez pas en direction de la lumière stroboscopique.

Une lumière continue / une lumière stroboscopique est intégrée pour éclairer la ligne de coupe :

jusqu'à env. 2 100 tr/mn : lumière continue

à partir d'env. 2 100 tr/mn : lumière stroboscopique

① En position au-dessus de la tête (+/- 45°), l'éclairage est entièrement désactivé.

Vous pouvez au besoin adapter l'éclairage :

- ▶ Branchez l'outil électrique.
- ▶ Maintenez les deux boutons **[1-2]** pressés pendant env. 10 s jusqu'à ce qu'un bip se fasse entendre.
- ▶ Relâchez les deux boutons **[1-2]**.
- ▶ Pressez le bouton gauche (sur le côté de la course pendulaire) autant de fois que voulu afin de sélectionner le mode souhaité :

Mode	Affichage pendant le réglage	Comportement à l'utilisation
1	L'éclairage clignote	avec stroboscope (standard)
2	Éclairage allumé	Lumière continue sans stroboscope
3	Éclairage éteint	Éclairage désactivé

- ▶ Pressez le bouton droit pour mémoriser le réglage.

Travail de métaux



Pour des raisons de sécurité, respectez les mesures suivantes lors de l'usinage de métal :

- Installez en amont de l'appareil un disjoncteur à courant de défaut (FI, PRCD).
- Raccordez l'outil à un aspirateur approprié.
- Nettoyez régulièrement les dépôts de poussières accumulés dans le carter moteur.
- Utilisez une lame de scie pour métal.
- Fermez le protecteur contre les projections de copeaux.



Portez des lunettes de protection !

Accessoires

Utilisez uniquement les accessoires Festool et consommables Festool d'origine prévus pour cette machine, car ces composants systèmes sont parfaitement adaptés les uns par rapport aux autres. Si vous utilisez des accessoires et consommables d'autres marques, la qualité du résultat peut être dégradée et les recours en garantie peuvent être soumis à des restrictions. L'usure de la machine ou votre charge personnelle peuvent augmenter selon chaque application. Pour cette raison, protégez-vous, votre machine et vos droits à la garantie en

utilisant exclusivement des accessoires Festool et des consommables Festool d'origine !

Les références des accessoires et des outils figurent dans le catalogue Festool ou sur Internet sous "www.festoolusa.com".



AVERTISSEMENT

Risques de blessures, choc électrique

- ▶ Débranchez prise de courant avant toute intervention sur la machine !

Lames de scie, autres accessoires

Afin de pouvoir découper rapidement et proprement différents matériaux, Festool vous propose pour tous les cas d'utilisation des lames de scie

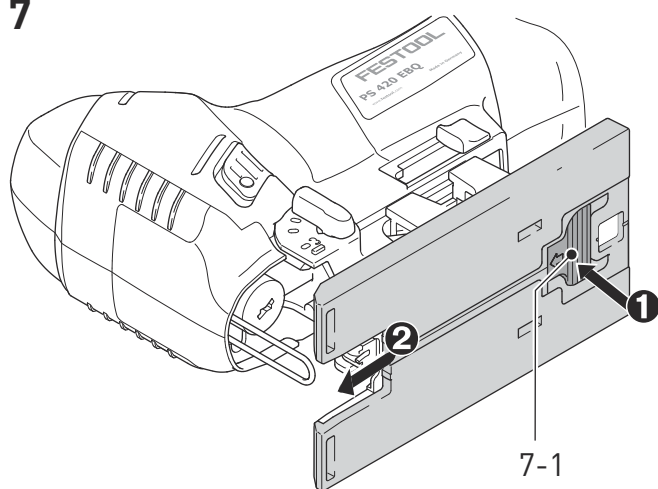
spécialement adaptées à votre scie sauteuse Festool.

Sciage avec semelles spéciales

Les semelles spéciales protègent les surfaces de qualité contre les rayures et les stries.

- ▶ Pressez la semelle au niveau de la position **[7-1]**.
- ▶ Poussez simultanément la semelle vers l'avant.
- ▶ Montez une autre semelle et poussez-la vers l'arrière, jusqu'à ce qu'elle s'enclenche.

7



Sciage avec la table angulaire

La table angulaire WT-PS 400 permet le sciage d'angles intérieurs et d'angles extérieurs jusqu'à 45°, ainsi que de tubes.



Aucune aspiration n'est possible lors du sciage avec la table angulaire !

Montage de la table angulaire

- ▶ Retirez la table de sciage **[1-11]** (voir chapitre).
- ▶ Montez la table angulaire sur le support de table de la scie.
- ▶ Fermez le levier **[1-9]**.

Assurez-vous que la table angulaire repose correctement dans le guide.

Réglage de l'angle

- ▶ Tournez la molette **[8-1]** pour régler l'angle souhaité.

*Vous pouvez régler les valeurs -45°, 0° et +45° à l'aide de l'échelle **[8-2]**.*



AVERTISSEMENT

Sciage, profondeurs de coupe

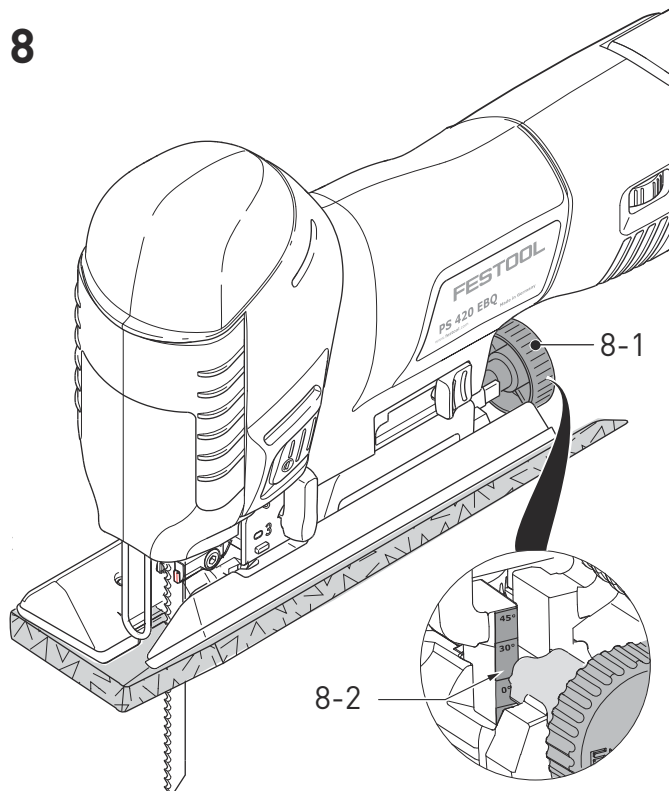
Risques de blessures

- ▶ Sélectionnez la longueur de lame de scie et la profondeur de coupe de manière à ce que la lame de scie reste systématiquement plongée dans la pièce.

- ① En cas de coupes à 0°, nous recommandons de régler la table angulaire sur une valeur légère-

ment négative, afin de garantir un fonctionnement stable.

8



Sciage avec la table adaptable

La table adaptable ADT-PS 400 permet de fixer votre scie sauteuse sur le rail de guidage Festool, le compas KS-PS 400 et le système modulaire CMS.

⚠ Rails de guidage et découpe circulaire compris, veillez à ce que l'épaisseur de matériau max. ne dépasse pas 20 mm et n'utilisez que des lames de scie croisées (FSG).

Montage de la table adaptable

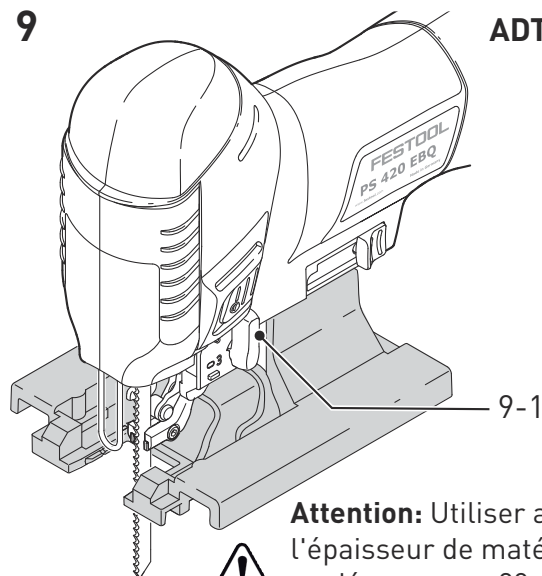
- ▶ Retirez la table de sciage [1-11], (voir chapitre Remplacement de la table de sciage).
- ▶ Montez la table adaptable [9-1] sur le support de table de la scie.
- ▶ Fermez le levier [1-9].

Assurez-vous que la table adaptable repose correctement dans le guide.

- ① Utilisez également le raccord d'aspiration [1-8] avec la table adaptable.

9

ADT-PS 400

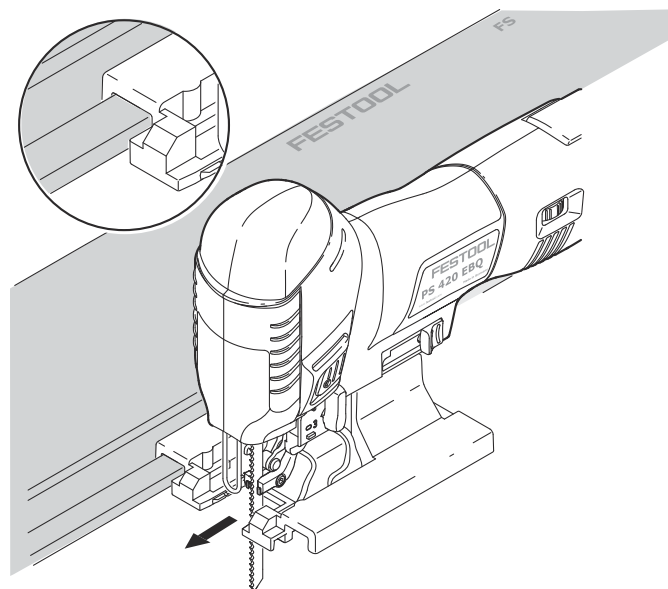


Attention: Utiliser avec l'épaisseur de matériau max. ne dépasse pas 20 mm et n'utilisez que des lames de scie croisées (FSG).

Adaptation au rail de guidage FS 2

L'utilisation du système de guidage Festool FS 2 (image [10]) vous facilite la réalisation de coupes rectilignes et précises.

- ▶ Montez la scie sauteuse avec la table adaptatrice [9-1] fixée sur le rail de guidage.



10

Adaptation sur le compas

Avec l'aide du compas, il est possible de réaliser des découpes circulaires d'un diamètre compris

entre 120 et 3000 mm. Le compas peut être monté des deux côtés sur la table adaptatrice.

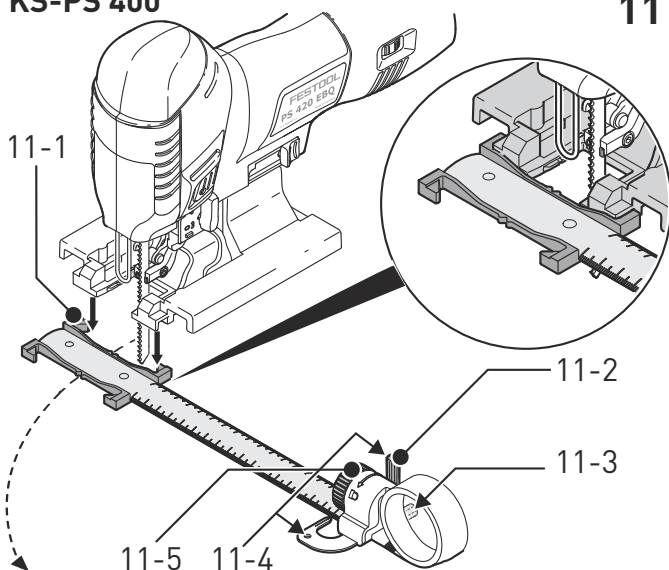
- ▶ Montez la scie sauteuse avec la table adaptatrice sur l'adaptateur **[11-1]** du compas.
- ▶ Insérez la broche de centrage **[11-2]** dans l'orifice **[11-4]** du compas qui se trouve dans l'alignement de la lame de scie.
- ▶ Bloquez le mètre ruban sur le compas à l'aide du bouton tournant **[11-5]**.

Réglages recommandés lors du sciage avec le compas :

- ▶ Sciez dans le sens inverse des aiguilles d'une montre.
 - ▶ Sciez avec une avance lente.
 - ▶ Réglez la course pendulaire **[1-12]** sur 0 - 1.
 - ▶ Réglez le nombre de courses **[1-5]** sur 1 - 5.
- ⓘ Conservez la broche de centrage dans le compartiment de rangement **[11-3]**.

KS-PS 400

11



Systainer

Systainer

De nombreux produits Festool sont fournis dans une caisse exclusive, appelée "Systainer". Celle-ci permet de protéger et de ranger des outils et des appareils complémentaires. Les Systainer sont empilables et peuvent être solidarisés. En outre, ils se fixent sur les aspirateurs CT Festool.

Pour ouvrir le Systainer



Tournez le T-loc **[12-1]** à cette position.

Pour fermer le Systainer



Tournez le T-loc **[12-1]** à cette position.

Pour connecter deux Systainers

Placez un Systainer au dessus de l'autre (Fig. **[12 A]**).

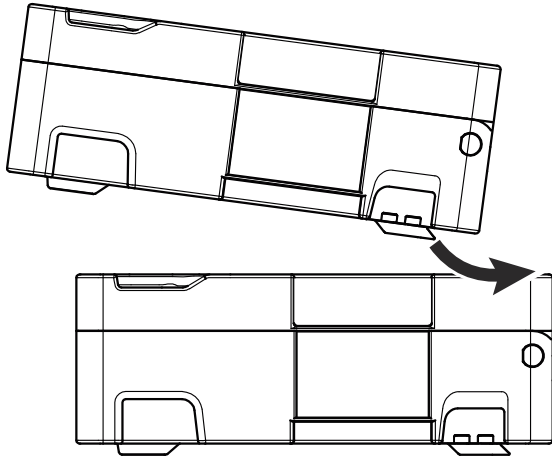


Tournez le T-loc **[12-1]** à une de cette positions (Fig. **[12 B]**).

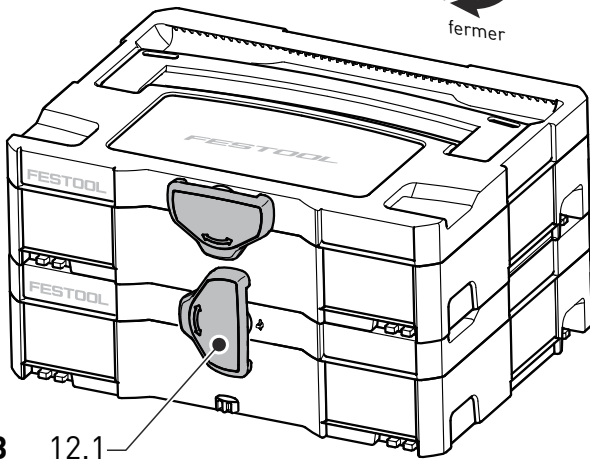
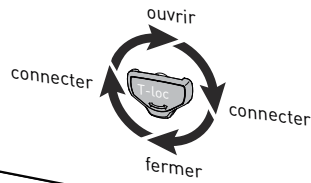
Les Systainers sont combinés.

- ⓘ Un Systainer de la nouvelle génération peut être attaché au dessus d'un Systainer de l'ancienne génération par les quatre loquets de l'ancien Systainer.

12



A



B 12.1

Entretien et maintenance



AVERTISSEMENT

Tout travail de maintenance ou de réparation, qui nécessite l'ouverture du moteur ou du carter d'engrenages doit uniquement être effectué par un centre service-client autorisé (nom fourni par votre revendeur) !

- Les travaux de maintenance ou de réparation effectués par un personnel non autorisé peuvent conduire à la mauvaise connexion de câbles d'alimentation ou d'autres composants, ce qui peut entraîner à son tour des accidents avec des conséquences graves.



AVERTISSEMENT

Risques de blessures, choc électrique

- Débranchez prise de courant avant toute intervention sur la machine !

Les dispositifs de protection et les composants endommagés doivent être réparés ou remplacés dans les règles de l'art par un atelier spécialisé agréé, dans la mesure où cela n'est pas spécifié différemment dans la notice d'utilisation.

Pour assurer la circulation de l'air, il est impératif que les ouïes de ventilation du carter moteur soient maintenues dégagées et propres.

- Contrôlez régulièrement l'état d'usure du galet de guidage.
- Nettoyez régulièrement les dépôts de poussières sur le capot anti-projections.
- Nettoyez régulièrement la semelle, afin d'éviter des rayures et des stries sur la surface.

Environnement













Ne jetez pas les outils électriques avec les ordures ménagères ! Eliminez les appareils, les accessoires et les emballages de façon compatible

avec l'environnement. Respectez en cela les dispositions nationales en vigueur.

Índice

Símbolos	35	Puesta en servicio	39
Indicaciones de seguridad	35	Ajustes	39
Datos técnicos.....	38	Trabajo con la máquina	43
Descripción de las funciones.....	38	Accesorios	45
Uso conforme a lo previsto	38	Mantenimiento y cuidado	49
		Medio ambiente	49

Símbolos

V	voltios		Peligro de electrocución
A	amperios		¡Leer las instrucciones e indicaciones!
Hz	hertzios		¡Utilizar protección respiratoria!
~	tensión alterna		¡Usar protección para los oídos!
a.c.			¡Utilizar gafas de protección!
—	tensión continua		¡Utilizar guantes de protección!
d.c.			Desconecte el enchufe
n_0	revoluciones por minuto en vacío		No pertenece a los residuos comunales.
	Clase II Construcción		
rpm	revoluciones por minuto		
min^{-1}			
"	pulgada		
lb.	libras		
	Diámetro		
	Indicación, consejo		
	Aviso ante un peligro general		

Indicaciones de seguridad

Indicaciones de seguridad generales



¡ATENCIÓN! Lea todas las advertencias de seguridad, instrucciones, ilustraciones y especificaciones que acompañan a esta herramienta eléctrica. El incumplimiento de dichas instrucciones puede dar lugar a descargas eléctricas, incendios o lesiones graves.

Guardar todas las advertencias de peligro e instrucciones para futuras consultas.

El término herramienta eléctrica empleado en las siguientes advertencias de peligro se refiere a herramientas eléctricas de conexión a la red (con ca-

ble de red) y a herramientas eléctricas accionadas por acumulador (o sea, sin cable de red).

1 PUESTO DE TRABAJO

- Mantenga limpio y bien iluminado su puesto de trabajo.** El desorden y una iluminación deficiente en las áreas de trabajo pueden provocar accidentes.
- No utilice la herramienta eléctrica en un entorno con peligro de explosión, en el que se encuentren combustibles líquidos, gases o material en polvo.** Las herramientas eléctricas

producen chispas que pueden llegar a inflamar los materiales en polvo o vapores.

- c. **Mantenga alejados a los niños y otras personas de su puesto de trabajo al emplear la herramienta eléctrica.** Una distracción le puede hacer perder el control sobre el aparato.

2 SEGURIDAD ELÉCTRICA

- a. **El enchufe del aparato debe corresponder a la toma de corriente utilizada. No es admisible modificar el enchufe en forma alguna. No emplear adaptadores en aparatos dotados con una toma de tierra.** Los enchufes sin modificar adecuados a las respectivas tomas de corriente reducen el riesgo de una descarga eléctrica.
- b. **Evite que su cuerpo toque partes conectadas a tierra como tuberías, radiadores, cocinas y refrigeradores.** El riesgo a quedar expuesto a una sacudida eléctrica es mayor si su cuerpo tiene contacto con tierra.
- c. **No exponga las herramientas eléctricas a la lluvia y evite que penetren líquidos en su interior.** Existe el peligro de recibir una descarga eléctrica si penetran ciertos líquidos en la herramienta eléctrica.
- d. **No utilice el cable de red para transportar o colgar el aparato, ni tire de él para sacar el enchufe de la toma de corriente. Mantenga el cable de red alejado del calor, aceite, esquinas cortantes o piezas móviles.** Los cables de red dañados o enredados pueden provocar una descarga eléctrica.
- e. **Al trabajar con la herramienta eléctrica en la intemperie utilice solamente cables de prolongación homologados para su uso en exteriores.** La utilización de un cable de prolongación adecuado para su uso en exteriores reduce el riesgo de una descarga eléctrica.
- f. **Si fuese imprescindible utilizar la herramienta eléctrica en un entorno húmedo, es necesario conectarla a través de un fusible diferencial.** La aplicación de un fusible diferencial reduce el riesgo a exponerse a una descarga eléctrica.

3 SEGURIDAD DE PERSONAS

- a. **Esté atento a lo que hace y emplee la herramienta eléctrica con prudencia. No utilice la herramienta eléctrica si estuviese cansado, ni tampoco después de haber consumido alcohol, drogas o medicamentos.** El no estar atento durante el uso de una herramienta eléctrica puede provocarle serias lesiones.
- b. **Utilice un equipo de protección y en todo caso unas gafas de protección.** El riesgo a lesionarse se reduce considerablemente si, dependiendo del

tipo y la aplicación de la herramienta eléctrica empleada, se utiliza un equipo de protección adecuado como una mascarilla antipolvo, zapatos de seguridad con suela antideslizante, casco, o protectores auditivos.

- c. **Evite una puesta en marcha fortuita del aparato. Cerciorarse de que el aparato esté desconectado antes de conectarlo a la toma de corriente.** Si transporta el aparato sujetándolo por el interruptor de conexión/desconexión, o si introduce el enchufe en la toma de corriente con el aparato conectado, ello puede dar lugar a un accidente.
- d. **Retire las herramientas de ajuste o llaves fijas antes de conectar la herramienta eléctrica.** Una herramienta o llave colocada en una pieza rotante puede producir lesiones al ponerse a funcionar.
- e. **Sea precavido. Trabaje sobre una base firme y mantenga el equilibrio en todo momento.** Ello le permitirá controlar mejor la herramienta eléctrica en caso de presentarse una situación inesperada.
- f. **Utilice ropa adecuada. No utilice ropa ancha ni objetos de joyería o bisutería. Mantenga el pelo y la ropa alejada de las piezas en movimiento.** La ropa suelta o el pelo largo pueden quedar atrapados por piezas en movimiento.
- g. **Siempre que sea posible utilizar unos equipos de aspiración o captación de polvo, asegúrese que éstos estén montados y que sean utilizados correctamente.** El empleo de estos equipos reduce los riesgos derivados del polvo.
- h. **No debe jamás confiarse por el uso frecuente de las máquinas e ignorar los principios de seguridad de la herramienta.** Un manejo imprudente puede ocasionar lesiones graves en fracciones de segundo.

4 TRATO Y USO CUIDADOSO DE HERRAMIENTAS ELÉCTRICAS

- a. **No sobrecargue el aparato. Use la herramienta prevista para el trabajo a realizar.** Con la herramienta adecuada podrá trabajar mejor y más seguro dentro del margen de potencia indicado.
- b. **No utilice herramientas con un interruptor defectuoso.** Las herramientas que no se puedan conectar o desconectar son peligrosas y deben hacerse reparar.
- c. **Saque el enchufe de la red antes de realizar un ajuste en el aparato, cambiar de accesorio o al guardar el aparato.** Esta medida preventiva reduce el riesgo a conectar accidentalmente el aparato.
- d. **Guarde las herramientas fuera del alcance de los niños y de las personas que no estén fami-**

liarizadas con su uso. Las herramientas utilizadas por personas inexpertas son peligrosas.

- e. **Cuide sus aparatos con esmero. Controle si funcionan correctamente, sin atascarse, las partes móviles del aparato, y si existen partes rotas o deterioradas que pudieran afectar al funcionamiento de la herramienta. Si la herramienta eléctrica estuviese defectuosa haga repararla antes de volver a utilizarla.** Muchos de los accidentes se deben a aparatos con un mantenimiento deficiente.
- f. **Mantenga los útiles limpios y afilados.** Los útiles mantenidos correctamente se dejan guiar y controlar mejor.
- g. **Utilice herramientas eléctricas, accesorios, útiles, etc. de acuerdo a estas instrucciones y en la manera indicada específicamente para este aparato. Considere en ello las condiciones de trabajo y la tarea a realizar.** El uso de herramientas eléctricas para trabajos diferentes de aquellos para los que han sido concebidas puede resultar peligroso.
- h. **Mantenga las empuñaduras secas, limpias y libres de aceite y grasa.** Las empuñaduras resbaladizas no permiten una manipulación y un control seguros de la herramienta eléctrica en situaciones inesperadas.

5 SERVICIO

- a. **Únicamente haga reparar su herramienta eléctrica por un profesional, empleando exclusivamente piezas de repuesto originales.** Solamente así se mantiene la seguridad de la herramienta eléctrica.

Indicaciones de seguridad específicas

- **Sujete la máquina únicamente por las empuñaduras aisladas si durante los trabajos las herramientas para tronzado pueden entrar en contacto con cables eléctricos ocultos o incluso con el cable de la corriente.** Si las herramientas para tronzado entran en contacto con cables eléctricos bajo tensión, las partes metálicas de la máquina pueden ser conductoras de esa tensión y el usuario puede sufrir una descarga eléctrica.

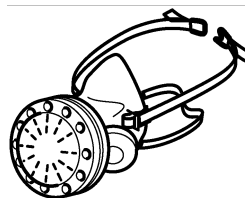
- **Fije y asegure la pieza de trabajo a una base estable por medio de mordazas o un dispositivo similar.** Si sostiene la pieza de trabajo únicamente con la mano o la apoya contra el cuerpo, aumentará su inestabilidad, así como el riesgo de perder el control sobre la pieza.
- **La luz estroboscópica puede provocar ataques epilépticos en personas con predisposición a ello.** No utilice la máquina si tiene este tipo de predisposición.
- No mire a la luz estroboscópica. Mirar a la fuente de luz puede dañar la vista.

Riesgos para la salud producidos por el polvo



ADVERTENCIA! Algunos polvos creados por lijadoras motorizadas, aserraderos, trituradores, perforadoras y otras actividades de construcción contienen sustancias químicas que se sabe (en el Estado de California) causan cáncer, defectos de nacimiento u otros daños al sistema reproductivo. Algunos ejemplos de estas sustancias químicas son:

- Plomo de las pinturas con base de plomo
- Sílice cristalino de los ladrillos y cemento y otros productos de mampostería, y
- Arsénico y cromo de madera tratada con sustancias químicas



El riesgo de exposición a estas sustancias varía, dependiendo de cuantas veces se hace este tipo de trabajo. Para reducir el contacto con estas sustancias químicas: trabaje en un área

con buena ventilación y trabaje con equipo de seguridad aprobado, como mascarillas para el polvo diseñadas específicamente para filtrar partículas microscópicas.



ADVERTENCIA

PARA REDUCIR EL RIESGO DE LESIÓN, EL USUARIO DEBE LEER EL MANUAL DE INSTRUCCIÓN.

Datos técnicos

Caladoras	PS 420 EBQ	PSB 420 EBQ
400 W		400 W
Potencia		
Número de carreras	1500 - 3800 rpm	1000 - 3800 rpm
Longitud de carrera	26 mm (1.02 ")	
Movimiento pendular	4 niveles	
Inclinación máx. (solo con el accesorio de mesa angular WT-PS 400)	45° hacia ambos lados	
Profundidad de corte máx. (según la hoja de sierra)		
	Madera	4-3/4" (120 mm)
	Aluminio	3/4" (20 mm)
	Acero	3/8" (10 mm)
Peso	4.2 lb. (1.9 kg)	

Descripción de las funciones

Las imágenes con la dotación de suministro se encuentran en una hoja desplegable al comienzo de este manual de instrucciones. Cuando lea este manual, le recomendamos que despliegue esta página

para disponer fácilmente de una vista general de la máquina.

- [1-1] Protección contra la proyección de virutas
- [1-2] Interruptor de conexión y desconexión
- [1-3] Interruptor acelerador (solo PSB 420 EBQ)
- [1-4] Bloqueo de conexión (solo PSB 420 EBQ)
- [1-5] Rueda de ajuste para la regulación del número de revoluciones
- [1-6] Conexión plug-it orientable (solo PS 420 EBQ)
- [1-7] Cable de conexión a la red
- [1-8] Racor de aspiración
- [1-9] Palanca de cambio de la mesa de serrar
- [1-10] Expulsión de la hoja de sierra
- [1-11] Mesa de serrar intercambiable
- [1-12] Interruptor de carrera pendular
- [1-13] Banda de rodadura

Uso conforme a lo previsto

Las caladoras están diseñadas para serrar madera y materiales derivados de la madera. Con las hojas de sierra especiales de Festool, estas máquinas

también pueden utilizarse para serrar plástico, acero, aluminio, metales no férricos y cerámica.

Las herramientas eléctricas Festool solo pueden integrarse en mesas de trabajo que hayan sido

previstas por Festool para tal efecto. El montaje en mesas de trabajo de otras marcas o de fabricación

propia puede mermar la seguridad de la herramienta eléctrica y provocar accidentes graves.



ADVERTENCIA

El usuario responde de los daños y accidentes que puedan derivarse de un uso no conforme a lo previsto.

Puesta en servicio



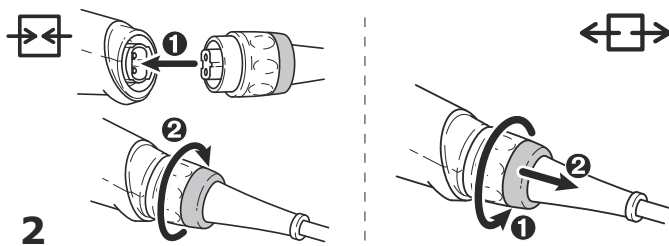
ADVERTENCIA

Tensión o frecuencia no permitida

Peligro de caída

- ▶ La tensión de red y la frecuencia de la red eléctrica deben coincidir con los datos que figuran en la placa de tipo.
- ▶ En Norteamérica sólo las máquinas Festool pueden utilizarse con una tensión de 120 V/60 Hz.

Ver la figura [2] para enchufar y desenchufar el cable de conexión [1-7] a la red.



- ▶ Conecte el enchufe a una toma de corriente.

Alargador

Si fuera necesario utilizar un alargador, éste deberá estar provisto de una sección transversal suficiente como para evitar una pérdida excesiva de voltaje o que se produzca un sobrecalentamiento. Una pérdida excesiva de voltaje reduce el rendimiento y puede causar el fallo del motor. La tabla que aparece a continuación indica el diámetro correcto del cable en función de la longitud del cable de ésta maquina.

Longitud total del cable alargador (pie)	25	50	100	150
Dimensiones del cable (AWG)	18	16	10	8

Use sólo los alargadores U.L. y CSA que figuran en la relación.

No utilice nunca dos alargadores juntos. Se recomienda usar un solo cable largo.

- ① Cuanto menor sea el número AWG, más fuerte será el cable.

Ajustes

Tenga en cuenta las imágenes al principio del manual.



ADVERTENCIA

Peligro de lesiones y electrocución

- ▶ Desconectar el enchufe de la toma de corriente antes de realizar cualquier trabajo en la máquina.

Regulación del número de carreras

El número de carreras se regula con la rueda de ajuste [1-5] de modo continuo entre 1500 y 3800 rpm (PSB 420 EBQ: 1000 - 3800 rpm). De este modo, la velocidad de corte puede adaptarse de manera óptima a cada material.

En la posición **A** está activado el reconocimiento automático de carga: el número de carreras está reducido en la marcha en vacío y se regula al valor

máximo cuando la herramienta penetra en la pieza de trabajo.

Número de carreras recomendado (posición de la rueda de ajuste)

Madera dura, madera blanda, tableros de mesa de carpintero, madera contrachapada, planchas de madera aglomerada	A
Placas de fibra de madera	4 - A
Plástico	3 - A
Cerámica, aluminio, metales no férreos	3 - 5
Acero	2 - 4

Ajustar la carrera pendular

Para poder trabajar materiales diferentes con un avance óptimo las sierras de calar pendulares disponen de una carrera pendular reajutable **[1-12]**.

posición 0 = carrera pendular desactivada

posición 3 = carrera pendular máxima

Ajustes recomendados de carrera pendular

Maderas blandas y duras, placas de madera (viruta) prensada, placas de fibra de madera	1 - 3
Tableros para ebanistería, madera contrachapada, plásticos	1 - 2
Cerámica	0
Aluminio, metales no férreos	0 - 2
Acero	0 - 1

Uso de la protección contra la proyección de virutas

La protección contra la proyección de virutas **[1-1]** impide que las virutas salgan disparadas y mejora la eficacia de la aspiración de virutas.

- ▶ Desplace la protección contra la proyección de virutas **[1-1]** hacia abajo con una ligera presión.

Cambio de la mesa de serrar

- ▶ Abra la palanca de cambio **[1-9]**.
- ▶ Extraiga la mesa de serrar desplazándola hacia abajo.

- ① El montaje se realiza en el orden inverso. Asegúrese de que la mesa de serrar quede bien sujeta en la guía.

En lugar de la mesa de serrar, en el alojamiento se puede montar la mesa angular WT-PS 400 o la mesa de adaptación ADT-PS 400.



Nunca sierre sin la mesa de serrar o sin ninguna de las mesas ofrecidas en el programa de accesorios de Festool.

Montaje de la protección antiastillas

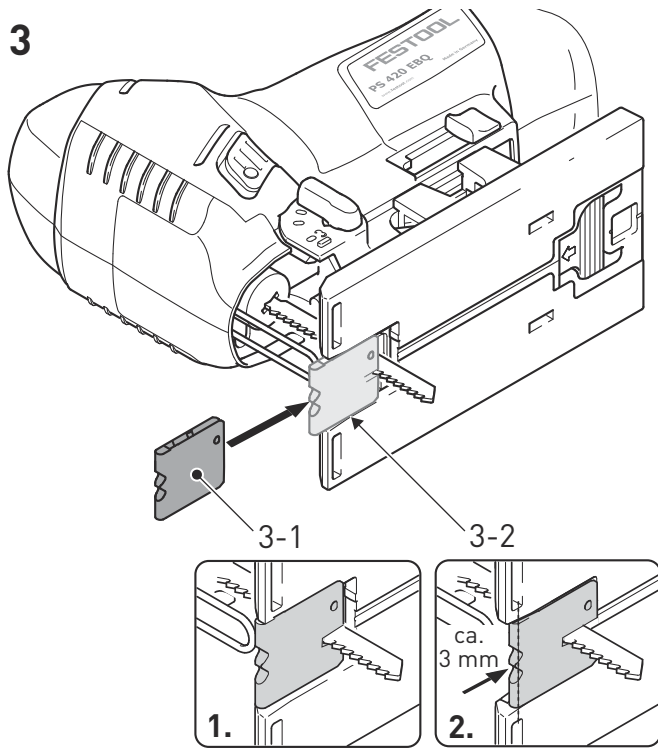
La protección antiastillas permite realizar cortes sin desgarros en los cantos, incluso por el lado de salida de la hoja de sierra.

- ▶ Con la máquina apagada, empujar la protección antiastillas **[3-1]** hasta la hoja de sierra por la guía **[3-2]**,
- ▶ conectar la caladora,
- ▶ desplazar la protección antiastillas, con la máquina en funcionamiento, en una superficie plana (**no con la mano**) hasta que enrase con el canto delantero de la mesa de serrar (velocidad 5). De esta manera se sierra la protección antiastillas.

- ① Una vez desgastada, la protección antiastillas se puede desplazar unos 3 mm más hacia atrás y seguir utilizándose.

- ① Para que la protección antiastillas funcione eficazmente, debe quedar bien enrasada a ambos lados de la hoja de sierra. Por este motivo, para conseguir cortes sin desgarros, en cada cambio de la hoja de sierra se debe emplear también una nueva protección antiastillas.

3



Aspiración

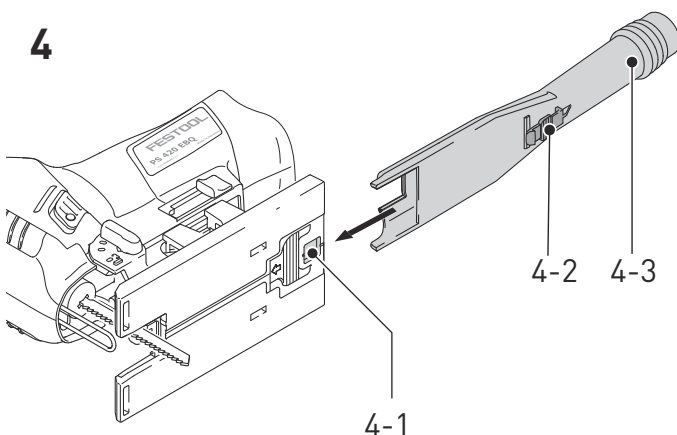


ADVERTENCIA

Consecuencias perjudiciales para la salud a causa del polvo

- ▶ El polvo puede ser perjudicial para la salud. Por este motivo, no trabaje nunca sin aspiración.
- ▶ Durante la aspiración de polvo perjudicial para la salud, respete siempre las normativas nacionales.

4



El adaptador de aspiración [4-3] permite conectar las caladoras a un equipo de aspiración (diámetro del tubo flexible de 27 mm).

- ▶ Inserte el adaptador de aspiración en la abertura trasera de la mesa de serrar de forma que el gancho [4-2] enclave en la entalladura [4-1].
- ▶ Para extraer el adaptador de aspiración, pulse el gancho [4-2].
- ⓘ El consumo de potencia reducido de la máquina (menor consumo de energía) hace que los aspiradores con conexión automática a veces se conecten solo en el momento de realizar el corte.
- ▶ Seleccione el funcionamiento continuo del aparato de aspiración para aplicaciones especiales (p. ej. número de carreras bajo, madera blanda...).

Cambiar de herramienta



ATENCIÓN

Herramienta caliente y afilada

Peligro de lesiones

- ▶ No utilizar herramientas desafiladas o defectuosas.
- ▶ Utilizar guantes de protección.

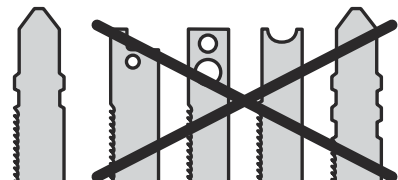


No utilice hojas de sierra deformadas o agrietadas ni hojas que presenten cuchillas defectuosas o sin filo.

Selección de la hoja de sierra



Utilice hojas de sierra con vástago de una sola leva (vástago en T). La hoja de sierra no debería tener una longitud superior a la necesaria para el corte que se va a realizar. Para conseguir un guiado seguro, la hoja de sierra debería sobresalir por abajo de la pieza de trabajo en cada punto.



- ⓘ Emplee únicamente hojas de sierra triscadas cuando se use la mesa angular y de adaptación.

Recomendamos la hoja de sierra Festool S 105/4 FSG.

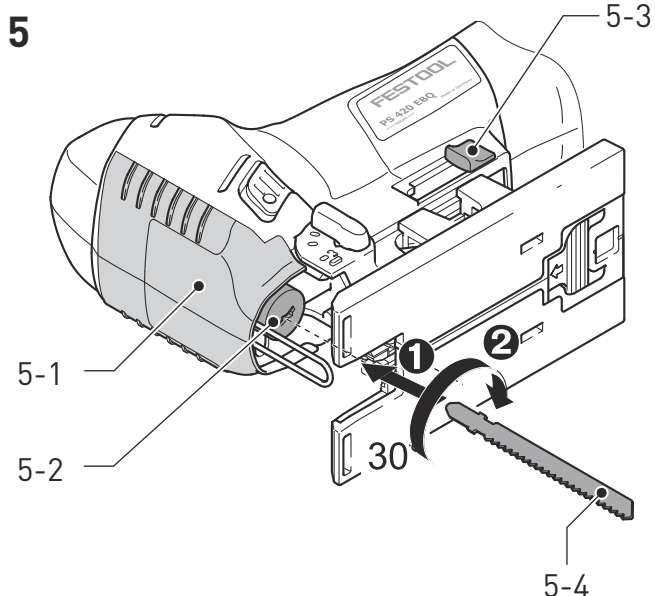
Montaje de la hoja de sierra




ADVERTENCIA

Peligro de lesiones y electrocución

- ▶ Desconectar el enchufe de la toma de corriente antes de realizar cualquier trabajo en la máquina.



- ▶ En caso necesario, desplazar la protección contra la proyección de virutas [1-1] hacia arriba.
- ▶ Desplazar la hoja de sierra [5-4] con los dientes en el sentido del corte hasta el tope en la abertura [5-2].
- ▶ Girar la hoja de sierra [5-4] aprox. 30° en el sentido de las agujas del reloj hasta que enclave.

 Comprobar que la hoja de sierra esté bien sujeta. Si la hoja de sierra está suelta, podría caerse y provocar lesiones.

- ⓘ En caso de que las hojas de sierra sean muy cortas, se recomienda extraer la mesa de se-

rrar (véase el capítulo) antes de insertar la hoja de sierra.

Ajustar la guía para la hoja de sierra tras cada cambio de la hoja:

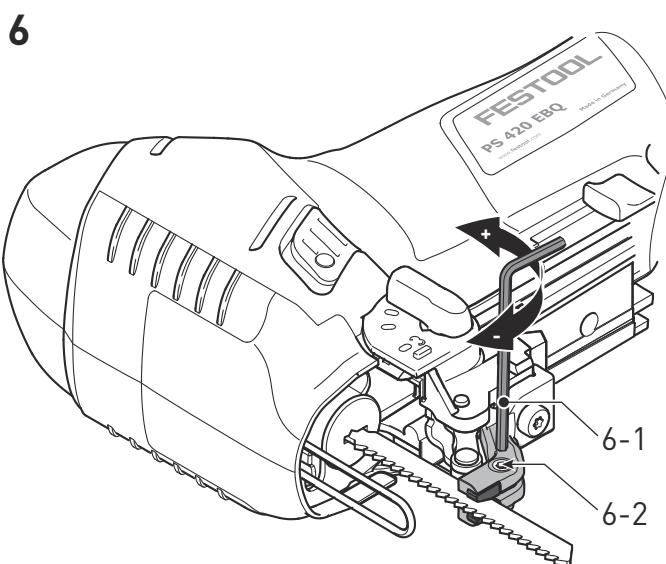
La guía para la hoja de sierra sirve para mejorar el guiado de la hoja.

- ▶ Extraer la mesa de serrar (véase el capítulo).
- ▶ Apretar el tornillo [6-2] con la llave de macho hexagonal [6-1] de modo que las caras de la hoja de sierra casi se toquen.

NOTA

Daños en la máquina o en la hoja de sierra

- ▶ No apretar demasiado el tornillo [6-2]. La hoja de sierra debe poder moverse ligeramente.



Expulsión de la hoja de sierra

- ⓘ Al expulsar la hoja de sierra, sujete la herramienta eléctrica de forma que nadie resulte herido.
- ▶ Desplace el expulsor de la hoja de sierra [5-3] hacia adelante hasta el tope.
- ⓘ El cambio de herramienta solo es posible con el alojamiento de la herramienta en la posición superior.

Si no se puede cambiar la hoja de sierra, hacer funcionar la sierra de calar durante 3-10 segundos

a alta velocidad. Accionar de nuevo la expulsión de la hoja de sierra [5-3].

Trabajo con la máquina



ATENCIÓN

Materiales que generan mucho polvo (p. ej. cartón yeso)

Daños en la máquina por la entrada de polvo, peligro de lesiones

- ▶ ¡No realizar trabajos por encima de la cabeza!



ADVERTENCIA

Peligro de lesiones

- ▶ Antes de la operarla verifique el asiento correcto de la cuchilla de de sierra y que esté fija.
- ▶ La sierra de calado siempre debe acercarse y aplicarse a la pieza de trabajo con la cuchilla de la sierra en marcha.
- ▶ Espere a que la máquina esté completamente parada antes de guardarla. La herramienta giratoria podría engancharse, lo que podría causar la pérdida de control de la máquina.

Utilice siempre una base estable para trabajar piezas pequeñas o finas.

Sujete la herramienta eléctrica por la empuñadura y guíela a lo largo de la línea de corte deseada. Para

obtener cortes precisos y una marcha suave, guíe la herramienta eléctrica con las dos manos.

Serrado libre siguiendo la línea de corte

Gracias a la punta triangular, la protección antiastillas [3-1] señala la línea de corte de la hoja de sierra, simplificando así el serrado.

Conexión y desconexión

La herramienta eléctrica dispone de un botón [1-2] a ambos lados para la conexión y la desconexión.

La PSB 420 EBQ tiene además un interruptor acelerador [1-3] con bloqueo de conexión [1-4]. El funcionamiento continuo se selecciona pulsando el botón [1-2].

Iluminación



ADVERTENCIA

La posición de la hoja puede resultar engañosa debido al efecto de la luz estroboscópica

Peligro de lesiones

- ▶ Asegúrese de que el lugar de trabajo tenga una buena iluminación.



ADVERTENCIA

Mirar a la fuente de la luz puede dañar la vista.

- ▶ No mire a la luz estroboscópica.

Con objeto de iluminar la línea de corte, se ha integrado una luz permanente o una luz estroboscópica:

hasta aprox. 2100 rpm: luz permanente

a partir de aprox. 2100 rpm: luz estroboscópica

❶ La iluminación se apaga al elevar la herramienta a una altura por encima de la cabeza (+/- 45°).

En caso necesario, se puede adaptar la iluminación:

- ▶ Enchufar la herramienta eléctrica.
- ▶ Mantener pulsados los dos botones **[1-2]** simultáneamente durante unos 10 s hasta que suene una señal acústica.
- ▶ Soltar ambos botones **[1-2]**.
- ▶ Pulsar el botón izquierdo (en el lado del movimiento pendular) el número de veces indicado para seleccionar el modo deseado:

Modo	Visualización durante el ajuste	Variación durante el funcionamiento
1	Iluminación intermitente	Con estroboscopio (estándar)
2	Iluminación conectada	Luz permanente sin estroboscopio
3	Iluminación desconectada	Luz apagada

- ▶ Pulsar el botón derecho para guardar el ajuste.

Tratamiento de metales



Al trabajar con metal deberá tener presente las siguientes medidas por motivos de seguridad:

- Agregue un interruptor de corriente de defecto (FI, PRCD).
- Conecte la máquina a un equipo de aspiración apropiado.
- Limpie regularmente el polvo que se acumula en la carcasa del motor de la máquina.
- Utilice una hoja de sierra de metal.
- Cierre la protección contra la proyección de virutas.



¡Utilizar gafas de protección!

Accesorios

Utilice únicamente los accesorios Festool originales y el material de consumo Festool diseñados para esta máquina, puesto que los componentes de este sistema están óptimamente adaptados entre sí. La utilización de accesorios y material de consumo de otros fabricantes puede afectar a la calidad de los resultados de trabajo y conllevar una limitación de los derechos de la garantía. El desgaste de la máquina o de su carga personal puede variar en función de la aplicación. Utilice únicamente accesorios originales y material de consumo de Festool para su propia protección y la de la máquina, así como de los derechos de la garantía.

Los números de pedido para los respectivos accesorios y herramientas se encuentran en su catálogo Festool o en la dirección de Internet "www.festoolusa.com".



ADVERTENCIA

Peligro de lesiones y electrocución

- ▶ Desconectar el enchufe de la toma de corriente antes de realizar cualquier trabajo en la máquina.

Hojas de sierra, otros accesorios

Para cortar diversos materiales de forma rápida y limpia, Festool le ofrece hojas de sierra compati-

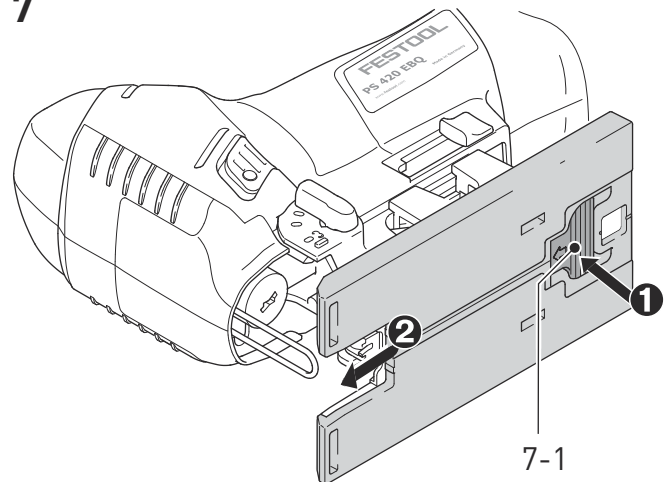
bles con su caladora Festool y adecuadas para cualquier aplicación.

Serrado con bandas de rodadura especiales

Las bandas de rodadura especiales protegen las superficies delicadas de rayaduras y estrías.


- ▶ Presione la banda de rodadura en la posición [7-1],
- ▶ al tiempo que la desplaza hacia adelante.
- ▶ Coloque otra banda de rodadura y desplácela hacia atrás hasta que enclave.

7



Serrado con la mesa angular

La mesa angular WT-PS 400 sirve para serrar tubos, así como ángulos interiores y exteriores de hasta 45°.

 Cuando se trabaja con la mesa angular no puede conectarse ningún equipo de aspiración.

Montaje de la mesa angular

- ▶ Extraer la mesa de serrar [1-11] (véase el capítulo).
- ▶ Colocar la mesa angular en el alojamiento de la mesa de serrar.
- ▶ Cerrar la palanca de cambio [1-9].

Asegurarse de que la mesa angular quede bien sujeta en la guía.

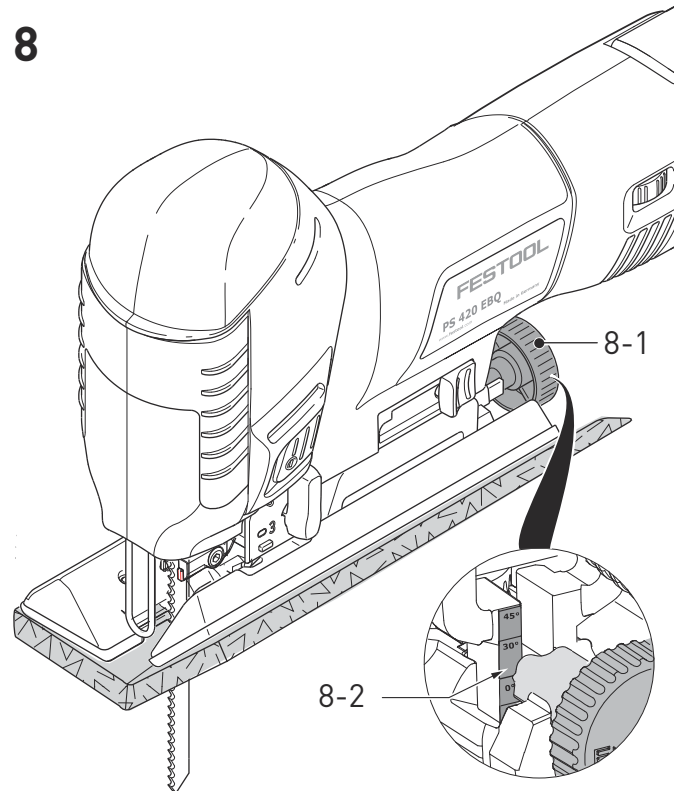
Ajuste del ángulo

- ▶ Girar la rueda de ajuste [8-1] para ajustar el ángulo deseado.

Con ayuda de la escala [8-2] se pueden ajustar los valores -45°, 0° y +45°.

mente negativo con el fin de garantizar una marcha estable.

8




ADVERTENCIA



Serrado de profundidades de corte

Peligro de lesiones

- ▶ Seleccionar la longitud de la hoja de sierra y la profundidad de corte de forma que la hoja de sierra quede siempre dentro de la pieza de trabajo.

 Para cortes de 0° recomendamos ajustar la mesa angular a un número de grados ligera-

Serrado con la mesa de adaptación

La mesa de adaptación ADT-PS 400 sirve para fijar su caladora en el riel de guía Festool, en el compás circular KS-PS 400 y en el sistema de módulos CMS.



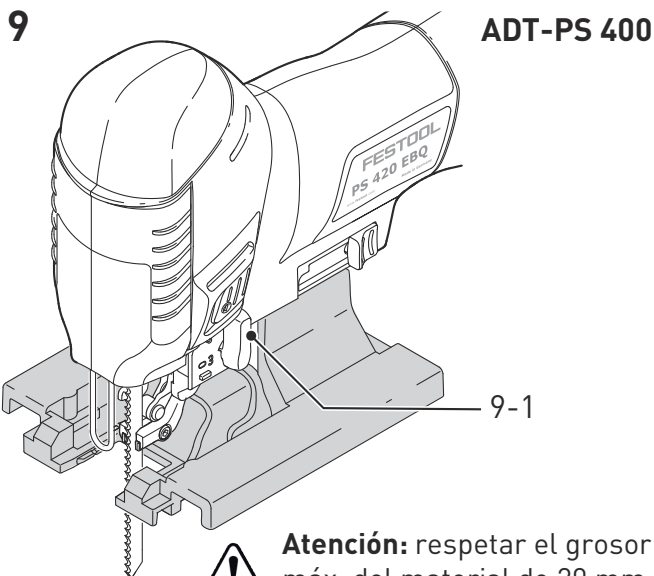
Con el riel de guía y el compás circular: respetar el grosor máx. del material de 20 mm y utilizar solo hojas de sierra triscadas (FSG).

Montaje de la mesa de adaptación

- ▶ Extraiga la mesa de serrar [1-11], (véase el capítulo).
- ▶ Coloque la mesa de adaptación [9-1] en el alojamiento de la mesa de serrar.
- ▶ Cierre la palanca de cambio [1-9].

Asegúrese de que la mesa de adaptación quede bien sujeta en la guía.

- ① Utilice los racores de aspiración [1-8] también con la mesa de adaptación.

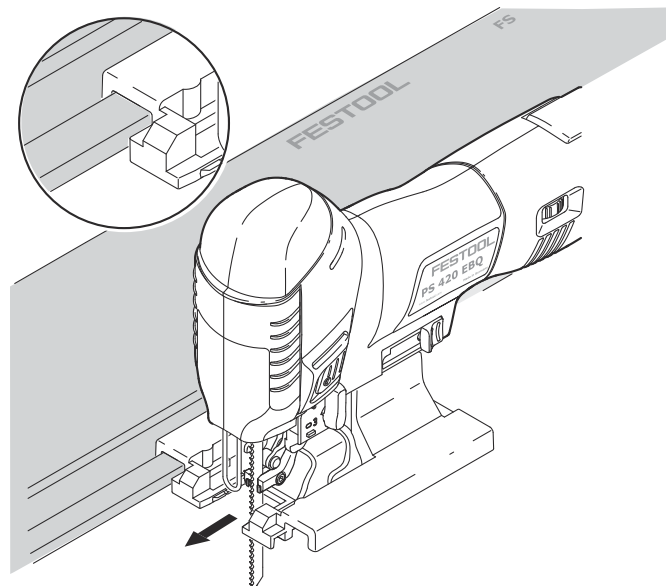


Atención: respetar el grosor máx. del material de 20 mm y utilizar solo hojas de sierra triscadas (FSG).

Adaptación al riel de guía FS 2

El uso del sistema guía FS 2 de Festool (imagen [10]) facilita la realización de cortes rectos y precisos.

- ▶ Colocar la caladora con la mesa de adaptación montada [9-1] en el riel de guía.



10

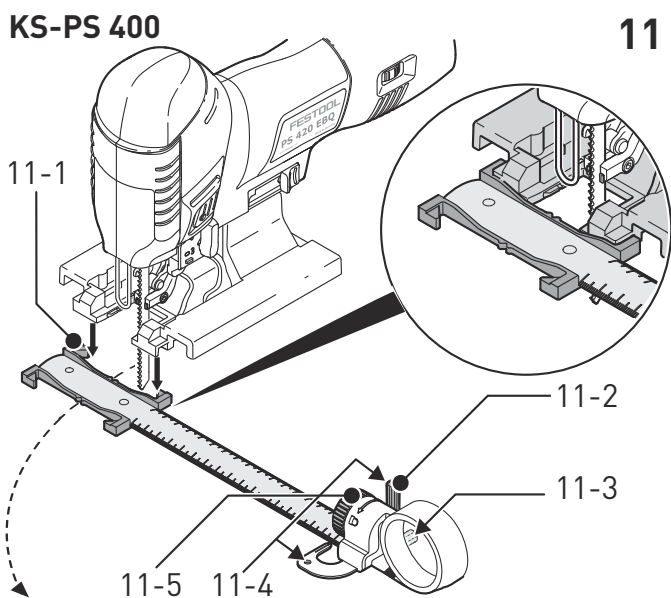
Adaptación al compás circular

El compás circular sirve para elaborar cortes circulares con un diámetro de entre 120 y 3000 mm. El compás circular puede montarse en la mesa de adaptación desde ambos lados.

- ▶ Coloque la caladora con la mesa de adaptación sobre el adaptador **[11-1]** en el compás circular.
- ▶ Coloque el mandril de centraje **[11-2]** en el taladro **[11-4]** del compás circular, que se encuentra en la línea de la hoja de sierra.
- ▶ Sujete la cinta métrica en el compás circular con el botón giratorio **[11-5]**.

Ajustes recomendados para serrar con el compás circular:

- ▶ Serrar contra el sentido de las agujas del reloj.
 - ▶ Serrar con un avance lento.
 - ▶ Colocar la carrera pendular **[1-12]** en 0 - 1.
 - ▶ Colocar los números de carreras **[1-5]** en 1 - 5.
- ① Guarde el mandril de centraje en el compartimiento **[11-3]**.



Systainer

Systainer

Muchos de los productos Festool se entregan en un embalaje exclusivo denominado "Systainer" que sirve de protección a la herramienta y sus complementos, además de facilitar su almacenamiento. Los Systainer pueden apilarse y encajan unos con otros. Además se adaptan sin problema a cualquier aparato de aspiración CT de Festool.

Para abrir el Systainer



Gire el T-loc **[12-1]** a esta posición.

Para cerrar el Systainer



Gire el T-loc **[12-1]** a esta posición.

Para encajar dos Systainer

Ponga el Systainer sobre un otro (Fig. **[12 A]**).

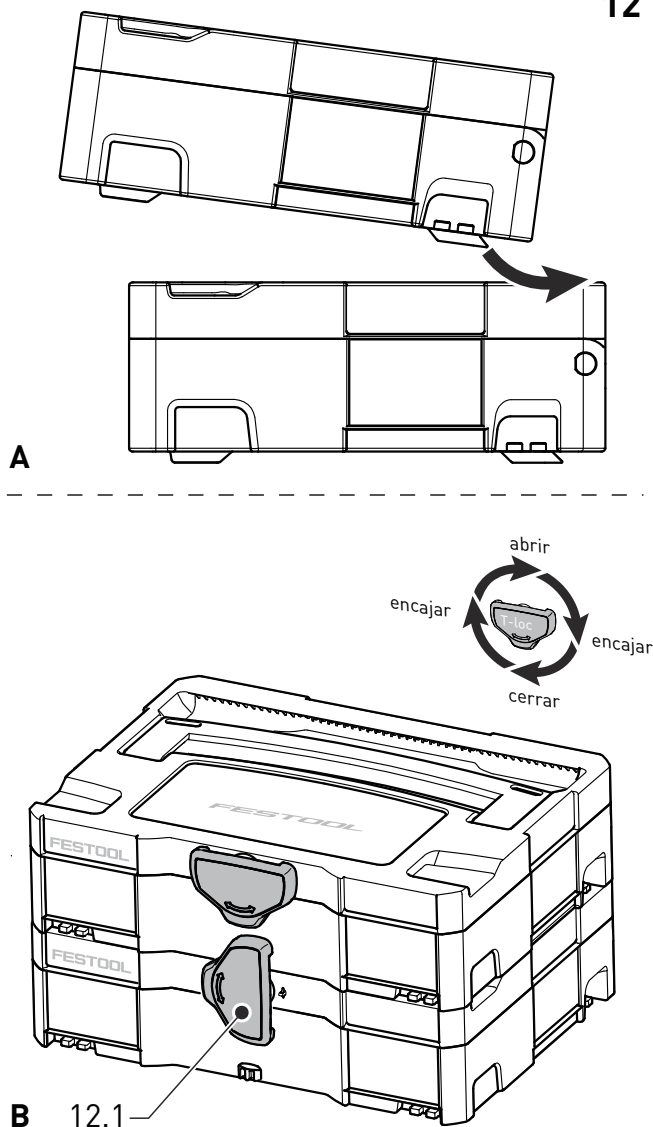


Gire el T-loc **[12-1]** a una de estas posiciones (Fig. **[12 B]**).

Los Systainers están encajados y cerrados.

- ① Un Systainer de la nueva generación es encajable encima de un Systainer de la generación anterior con los cuatro enganches del Systainer anterior.

12



Mantenimiento y cuidado



ADVERTENCIA

Cualquier trabajo de mantenimiento o reparación que requiera abrir el motor o la carcasa del engranaje deberá ser realizado únicamente por un Centro de Atención al Cliente (nombre proporcionado por su concesionario).

- ▶ Los trabajos de mantenimiento o reparación realizados por una persona no autorizada podrían provocar la conexión incorrecta de los conductores de alimentación u otros componentes, lo que a su vez podría provocar accidentes con consecuencias graves.



ADVERTENCIA

Peligro de lesiones y electrocución

- ▶ Desconectar el enchufe de la toma de corriente antes de realizar cualquier trabajo en la máquina.

Los dispositivos de protección y las piezas que presenten daños deben ser reparados o sustituidos conforme a lo prescrito por un taller especializado autorizado, a menos que se especifique de otro modo en el manual de instrucciones.

A fin de garantizar una correcta circulación del aire, las aberturas para el aire de refrigeración dispuestas en la carcasa del motor deben mantenerse libres y limpias.

- Compruebe regularmente si el rodillo guía presenta desgaste.
- Limpie regularmente el polvo que se acumula en la campana de salida de virutas.
- Limpie regularmente la banda de rodadura para evitar rayaduras y estrías en la superficie.

Medio ambiente

¡No deseche las herramientas eléctricas junto con los residuos domésticos! Recicle los aparatos, accesorios y embalajes de forma respetuosa con el

medio ambiente. Tenga en cuenta la normativa vigente del país.